



Operator's Manual

Z-45/25
Z-45/25J

DC Power
Bi-Energy Power

ANSI/CSA
North America
South America
Asia

AUS
Australia

with
Maintenance
Information

Fourth Edition
Second Printing
Part No. 114344

Important

Read, understand and obey these safety rules and operating instructions before operating this machine. Only trained and authorized personnel shall be permitted to operate this machine. This manual should be considered a permanent part of your machine and should remain with the machine at all times. If you have any questions, call Genie Industries.

Contents

	Page
Introduction	1
Symbol and Hazard Pictorials Definitions	3
General Safety	5
Personal Safety	11
Work Area Safety	12
Legend	20
Controls	21
Inspections	28
Operating Instructions	44
Transport and Lifting Instructions	51
Maintenance	54
Specifications	57

Contact us:


Internet: <http://www.genielift.com>
E-mail: techpub@genieind.com

Copyright © 1999 by Genie Industries

Fourth Edition: Second Printing, April 2012

"Genie" and "Z" are registered trademarks of Genie Industries in the U.S.A. and many other countries.

These machines comply with
ANSI/SIA 92.5
CAN B.354.4

 Printed on recycled paper

Printed in U.S.A.



Introduction

Owners, Users and Operators:

Genie appreciates your choice of our machine for your application. Our number one priority is user safety, which is best achieved by our joint efforts. We feel that you make a major contribution to safety if you, as the equipment users and operators:

- 1 **Comply** with employer, job site and governmental rules.
- 2 **Read, understand and follow** the instructions in this and other manuals supplied with this machine.
- 3 **Use good safe work practices** in a commonsense way.
- 4 **Only have trained/certified operators**, directed by informed and knowledgeable supervision, running the machine.

If there is anything in this manual that is not clear or which you believe should be added, please contact us.

Internet: www.genieind.com

Email: techpub@genieind.com



Danger

Failure to obey the instructions and safety rules in this manual will result in death or serious injury.

Do Not Operate Unless:

- You learn and practice the principles of safe machine operation contained in this operator's manual.

1 Avoid hazardous situations.

Know and understand the safety rules before going on to the next section.

- 2 Always perform a pre-operation inspection.
- 3 Always perform function tests prior to use.
- 4 Inspect the workplace.
- 5 Only use the machine as it was intended.

- You read, understand and obey the manufacturer's instructions and safety rules—safety and operator's manuals and machine decals.
- You read, understand and obey employer's safety rules and worksite regulations.
- You read, understand and obey all applicable governmental regulations.
- You are properly trained to safely operate the machine.

Introduction

Hazard Classification

Genie uses symbols, color coding and signal words to identify the following:



Safety alert symbol—used to alert you to potential personal injury hazards. Obey all safety messages that follow this symbol to avoid possible injury or death.

▲ DANGER

Red

Indicates a hazardous situation which, if not avoided, will result in death or serious injury.

▲ WARNING

Orange

Indicates a hazardous situation which, if not avoided, could result in death or serious injury.

▲ CAUTION

Yellow

Indicates a hazardous situation which, if not avoided, could result in minor or moderate injury.

NOTICE

Blue

Indicates a hazardous situation which, if not avoided, could result in property damage.

Intended Use

This machine is intended to be used only to lift personnel, along with their tools and materials to an aerial work site.

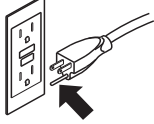
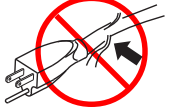










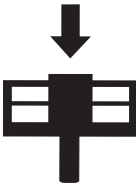


Safety Sign Maintenance

Replace any missing or damaged safety signs. Keep operator safety in mind at all times. Use mild soap and water to clean safety signs. Do not use solvent-based cleaners because they may damage the safety sign material.

Symbol and Hazard Pictorials Definitions

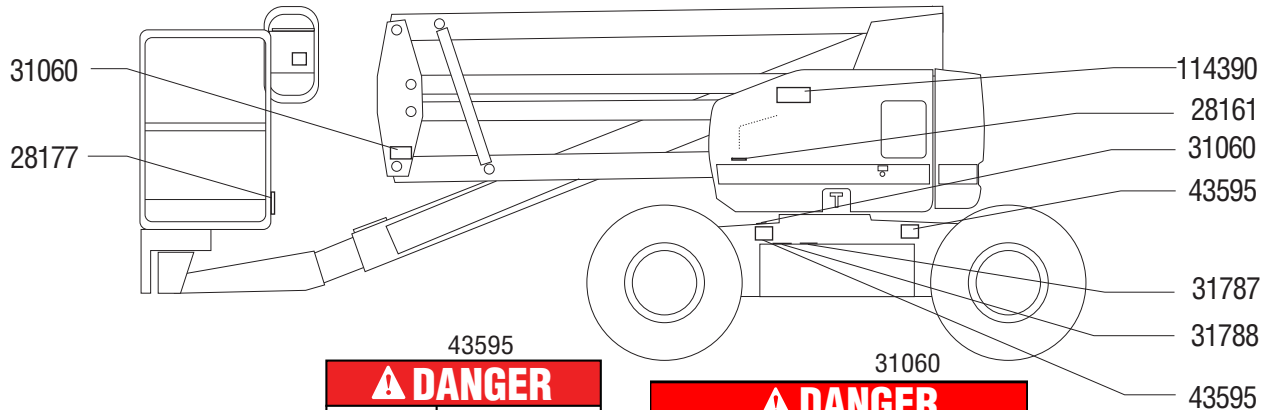
 Crush Hazard	 Electrocution Hazard	 Fire Hazard	 Explosion Hazard	 Burn Hazard
 Fall Hazard	 Crush Hazard	 No Open Flames	 Tip-over Hazard	 No Smoking
 Voltage rating for power to platform	 Pressure rating for air line to platform	 Electrocution Hazard	 Disconnect batteries	 Batteries used as counterweight
 Explosion Hazard	 Do not use ether or other high energy starting aids on machines equipped with glow plugs	 Maintain required clearance	 Keep away from path of moving platform	 Only trained maintenance personnel should access compartments
Recovery procedure if tilt alarm sounds while elevated.  Platform uphill: 1 Lower primary 2 Lower secondary 3 Retract primary	 Platform downhill: 1 Retract primary 2 Lower secondary 3 Lower primary	 Platform tie-down instructions, jib	 Platform tie-down instructions, no jib	 Chassis tie-down instructions

Symbol and Hazard Pictorials Definitions

 <p>Grounded AC 3-wire outlet only</p>	 <p>Replace damaged wires and cords</p>	 <p>Lanyard attachment point</p>	 <p>Wheel load</p>	 <p>Read the operator's manual</p>
 <p>No smoking No flame. Stop engine</p>	 <p>Keep away from moving parts</p>	 <p>Keep off this surface</p>	 <p>Replace tires with same tire</p>	 <p>Bodily Injury Hazard</p>
 <p>Burn hazard</p>	 <p>Stay clear of belts and fan when engine is running</p>	 <p>Maximum platform capacity</p>	 <p>Maximum Manual Force</p>	 <p>Maximum Wind Speed</p>

General Safety

Safety signs and locations



28161

WARNING

Crush Hazard
Contact with moving parts can result in death or serious injury.

Keep away from moving parts.

28161 C

43595

DANGER

Tip-over Hazard
Do not use air-filled tires.

This machine is equipped with foam-filled tires. Wheel weight and proper counterweight configuration are critical to stability.

43595 B

31060

DANGER

Tip-over Hazard
Altering or disabling limit switches can result in machine tip-over. Machine tip-over will result in death or serious injury.

Do not alter or disable limit switch(s).

31060 C

31787

DANGER

Tip-over hazard.
Failure to replace batteries with proper weight batteries will cause death or serious injury.

Batteries are used as counterweight and are critical to machine stability. Each battery must weigh 105 lbs / 47.6 kg. Battery box including batteries must weigh a minimum of 530 lbs / 240.4 kg.

530 lbs / 240.4 kg

31787 E

28177

WARNING

Crush Hazard
Death or serious injury may result from platform crushing personnel against boom.

Keep away from path of moving platform.

28177 C

114390

DANGER

Electrocution Hazard
Death or injury can result from contacting electric power lines.

Always contact the electric power line owner. The electric power shall be disconnected or the power lines moved or insulated before machine operations begin.

114390 A

Maintain required clearance.		
Line Voltage	Required Clearance	
0 to 50KV	10 ft	3,0 m
50 to 200KV	15 ft	4,6 m
200 to 350KV	20 ft	6,1 m
350 to 500KV	25 ft	7,6 m
500 to 750KV	35 ft	10,6 m
750 to 1000KV	45 ft	13,7 m

31788

DANGER

Explosion / Burn Hazard
Ignition of explosive gases or contact with corrosive acid will cause death, burns or blindness

Keep all open flames and sparks away. Wear personal protective equipment, including face shield, gloves and long sleeve shirt.

READ MANUALS
Read all manuals prior to operation.

DO NOT OPERATE equipment if you do not understand the information in the manuals.

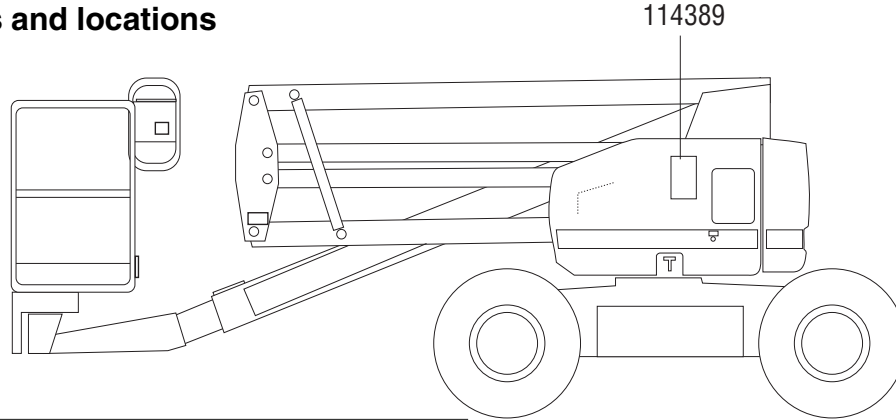
Consult your supervisor, the owner or the manufacturer.

31788 C



General Safety

Safety signs and locations



114389

⚠ DANGER

Failure to read, understand and obey the operator's manual and the following safety rules will result in death or serious injury.
Improper Use Hazard
 The operator is responsible for safe machine operation. This includes:

- 1 Avoid hazardous situations.
- 2 Always perform a pre-operation inspection.
- 3 Always perform function tests prior to use.
- 4 Inspect work place.
- 5 Only use the machine as it was intended.

Do not operate unless:

You read, understand and obey:

- manufacturer's instructions and safety rules — safety and operator's manuals and decals
- employer's safety rules
- applicable governmental regulations

You are properly trained to safely operate this machine.

Electrocution Hazards

This machine is not electrically insulated and will not provide protection from contact with or proximity to electrical current.

Line Voltage	Required Clearance
0 to 50KV	10 ft 3,0 m
50 to 200KV	15 ft 4,6 m
200 to 350KV	20 ft 6,1 m
350 to 500KV	25 ft 7,6 m
500 to 750KV	35 ft 10,6 m
750 to 1000KV	45 ft 13,7 m

Tip-over Hazards

Do not raise or extend boom unless machine is on firm, level ground.

Do not depend on tilt alarm as a level indicator. Tilt alarm sounds in platform only when machine is on a severe slope.

Do not raise boom when wind speeds may exceed 28 mph / 12,5 m/s.

Do not operate machine in strong or gusty winds. Do not increase surface area of platform or load. Increasing area exposed to wind will decrease machine stability.

Do not drive machine on or near uneven terrain, unstable surfaces or other hazardous conditions with boom raised or extended.

Do not drive machine on a slope that exceeds the maximum slope or side slope rating for the machine.

Use extreme care and slow speeds while driving the machine in stowed position across uneven terrain, debris, unstable or slippery surfaces and near holes and drop-offs.

Do not attempt to free a caught or snagged platform using platform controls. All personnel must be removed from platform before attempting to free platform using ground controls.

Do not alter or disable machine components that in any way affect safety and stability.

Do not push off or pull toward any object outside of the platform.

Do not place or attach overhanging loads to any part of this machine.

Do not place ladders or scaffolds in platform or against any part of this machine.

Do not use machine on a moving or mobile surface or vehicle.

Be sure all tires are in good condition, air-filled tires are properly inflated and lug nuts are properly tightened.

Fall Hazards

Occupants must wear a safety belt or harness in accordance with governmental regulations. Attach lanyard to anchor provided in platform.

Do not sit, stand or climb on the platform guard rails. Maintain a firm footing on the platform floor at all times.

Do not climb down from the platform when raised.

Lower the platform entry mid-rail or close the entry gate before operating.

Collision Hazards

Be aware of limited sight distance and blind spots when driving or operating.

Check work area for overhead obstructions or other possible hazards.

Be aware of crushing hazard when grasping the platform guard rail.

Observe and use color-coded direction arrows on the platform controls and drive chassis for drive and steer functions.

Do not lower the boom unless the area below is clear of personnel and obstructions.

Explosion Hazard

Do not start engine if you smell or detect liquid petroleum gas (LPG), gasoline, diesel fuel or other explosive substances.

Do not refuel the machine with the engine running.

Damaged Machine Hazards

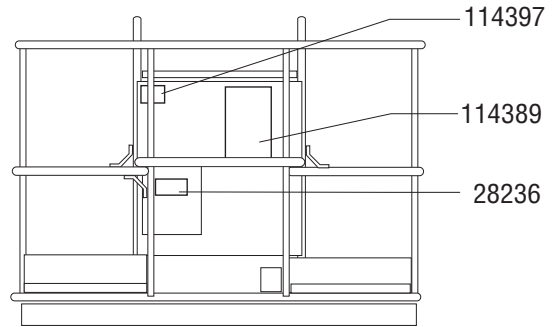
Do not use a damaged or malfunctioning machine.

Be sure all maintenance has been performed as specified in the appropriate operator's and service manuals

Be sure all decals are in place and legible.

Be sure safety, operator's and responsibilities manuals are complete, legible and in the storage container located on the platform.

114389 A



⚠ WARNING

Improper operation or maintenance can result in serious injury or death.

Read and understand Operator's Manual, Responsibilities Manual and Safety Manual and all safety signs before using or maintaining machine.

If you do not understand the information in the manuals, consult your supervisor, the owner or the manufacturer.

28236 D

28236

⚠ DANGER

Tip-over Hazard
If tilt-alarm sounds, unit is on a severe slope. Death or serious injury will result.

• Stop all movement.

Platform uphill:

- 1 Lower primary boom.
- 2 Lower secondary boom
- 3 Retract primary boom.

• Read operator's manual before attempting to move machine.

Platform downhill:

- 1 Retract primary boom.
- 2 Lower secondary boom.
- 3 Lower primary boom

114397

114397 A

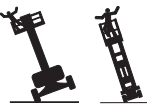


General Safety


Safety signs and locations

31060

⚠ DANGER



Tip-over Hazard
Altering or disabling limit switches can result in machine tip-over. Machine tip-over will result in death or serious injury.




Do not alter or disable limit switch(s).


31060 C

43595

⚠ DANGER



Tip-over Hazard
Do not use air-filled tires.



This machine is equipped with foam-filled tires. Wheel weight and proper counterweight configuration are critical to stability.

43595 B

28181

⚠ WARNING



Fall Hazard
Death or serious injury may result from climbing or riding on boom.




Keep off this surface.

28181 C


28175


⚠ WARNING



Compartment access is restricted.
Contact with components under any cover may result in serious injury.

28175 H

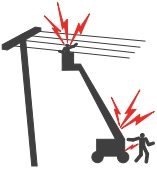




Only trained maintenance personnel should access compartments. Access by operator is only advised when performing Pre-operation Inspection. All compartments must remain closed and secured during operation.

114390

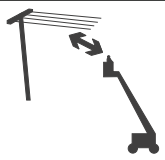
⚠ DANGER



Electrocution Hazard
Death or injury can result from contacting electric power lines.

Always contact the electric power line owner. The electric power shall be disconnected or the power lines moved or insulated before machine operations begin.

114390 A



Maintain required clearance.		
Line Voltage	Required Clearance	
0 to 50KV	10 ft	3.0 m
50 to 200KV	15 ft	4.6 m
200 to 350KV	20 ft	6.1 m
350 to 500KV	25 ft	7.6 m
500 to 750KV	35 ft	10.6 m
750 to 1000KV	45 ft	13.7 m

28177

⚠ WARNING

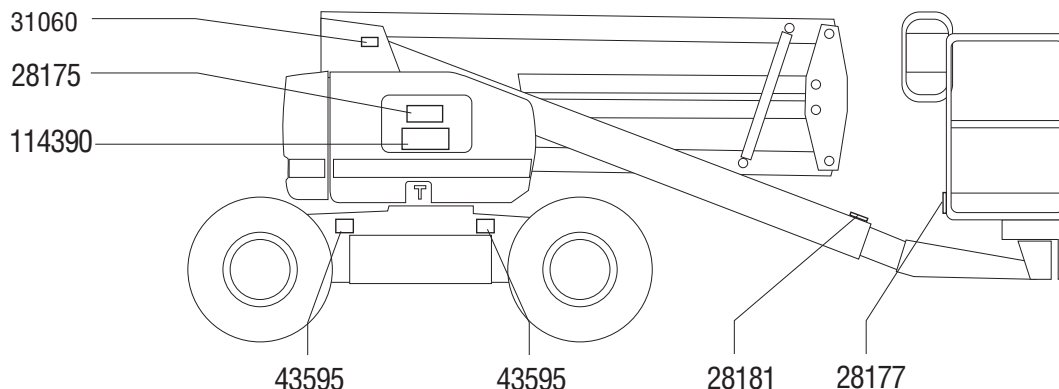


Crush Hazard
Death or serious injury may result from platform crushing personnel against boom.



Keep away from path of moving platform.

28177 C



General Safety

Safety signs and locations

31788

⚠ DANGER	
	Explosion / Burn Hazard Ignition of explosive gases or contact with corrosive acid will cause death, burns or blindness
	Keep all open flames and sparks away. Wear personal protective equipment, including face shield, gloves and long sleeve shirt.
	READ MANUALS Read all manuals prior to operation. DO NOT OPERATE equipment if you do not understand the information in the manuals. Consult your supervisor, the owner or the manufacturer.

31788 C

31508

⚠ DANGER	
	Electrocution / Fire Hazard Death or serious injury will result from use of improper or damaged cord and outlet.
	Connect charger to a grounded AC 3-wire electrical outlet only. Before each use, inspect for damaged cord, cables and wires. Replace damaged items before operating.

31508 C

114258

⚠ DANGER	
Burn Hazard Fuel and fumes can explode and burn.	No smoking. No flame. Stop engine. 114258 A

97602

⚠ WARNING	
Explosion Hazard Death or serious injury can result from the use of either or other high energy starting aids.	Do not use either or other high energy starting aids on machines equipped with glow plugs. 97602 B

28162

⚠ WARNING	
	Bodily injury hazard. Contact with moving parts may cause serious injury.
	Stay clear of belts and fan when engine is running. 28162 C

28175

⚠ WARNING	
Compartment access is restricted. Contact with components under any cover may result in serious injury. 28175 H	Only trained maintenance personnel should access compartments. Access by operator is only advised when performing Pre-operation Inspection. All compartments must remain closed and secured during operation.

31787

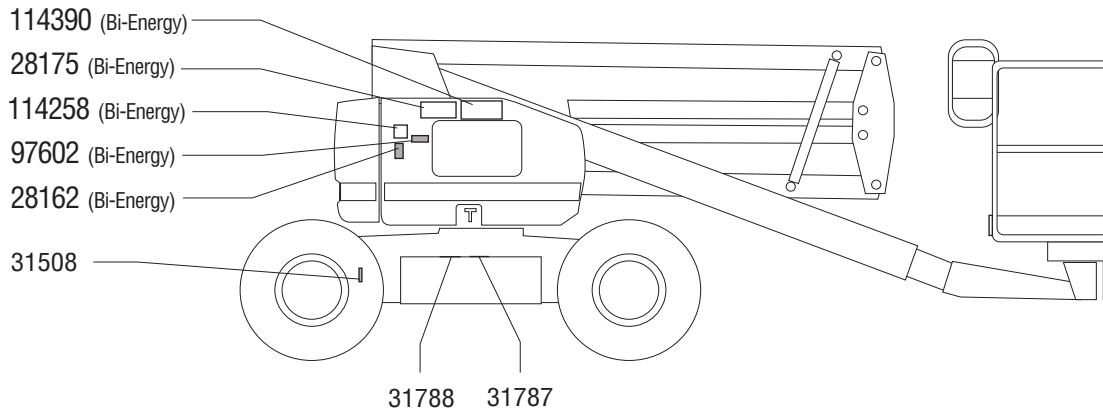
⚠ DANGER	
	Tip-over hazard. Failure to replace batteries with proper weight batteries will cause death or serious injury.
	Batteries are used as counterweight and are critical to machine stability. Each battery must weigh 105 lbs / 47.6 kg. Battery box including batteries must weigh a minimum of 530 lbs / 240.4 kg. 31787 E

114390

⚠ DANGER	
Electrocution Hazard Death or injury can result from contacting electric power lines. Always contact the electric power line owner. The electric power shall be disconnected or the power lines moved or insulated before machine operations begin. 114390 A	

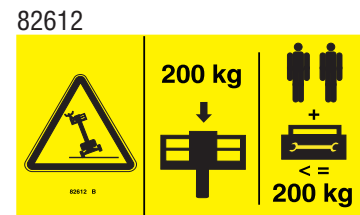
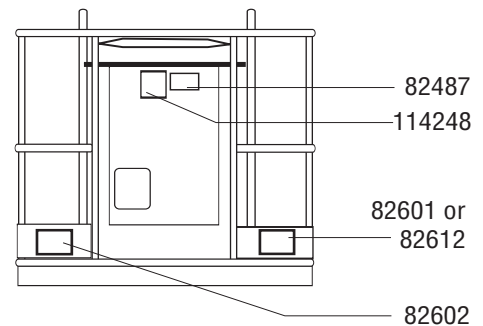
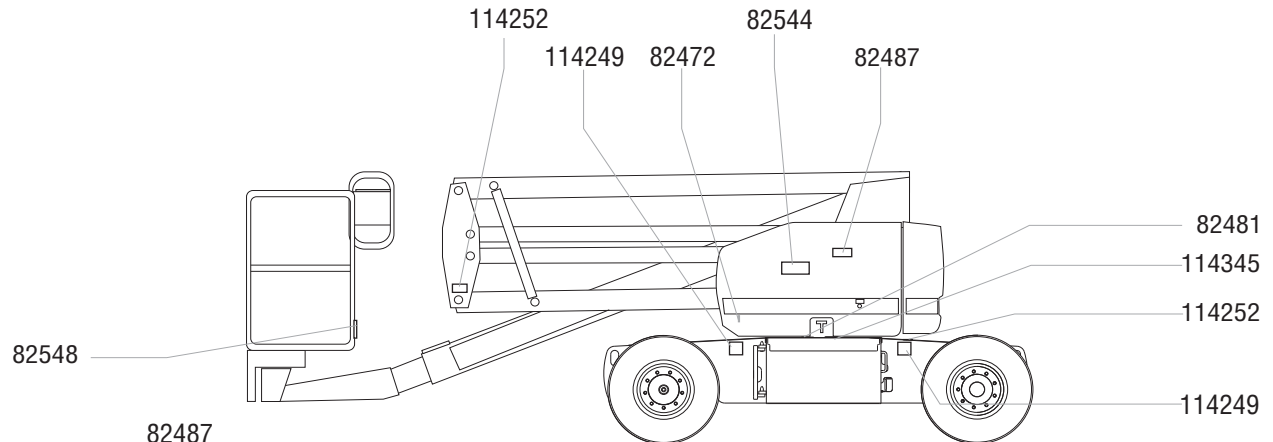
114390

Maintain required clearance.		
Line Voltage	Required Clearance	
0 to 50KV	10 ft	3.0 m
50 to 200KV	15 ft	4.6 m
200 to 350KV	20 ft	6.1 m
350 to 500KV	25 ft	7.6 m
500 to 750KV	35 ft	10.6 m
750 to 1000KV	45 ft	13.7 m



General Safety

Safety signs and locations



General Safety

Safety signs and locations

82473



114251



82481



114334



82544



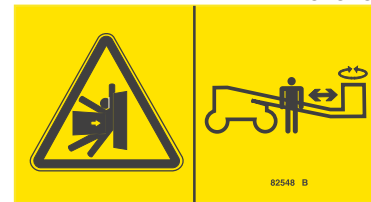
114249



114252



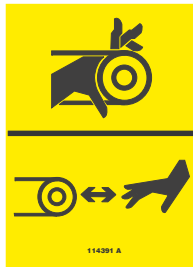
82548



114247



114391



114345



82544 (Bi-Energy)

114252 (Bi-Energy)

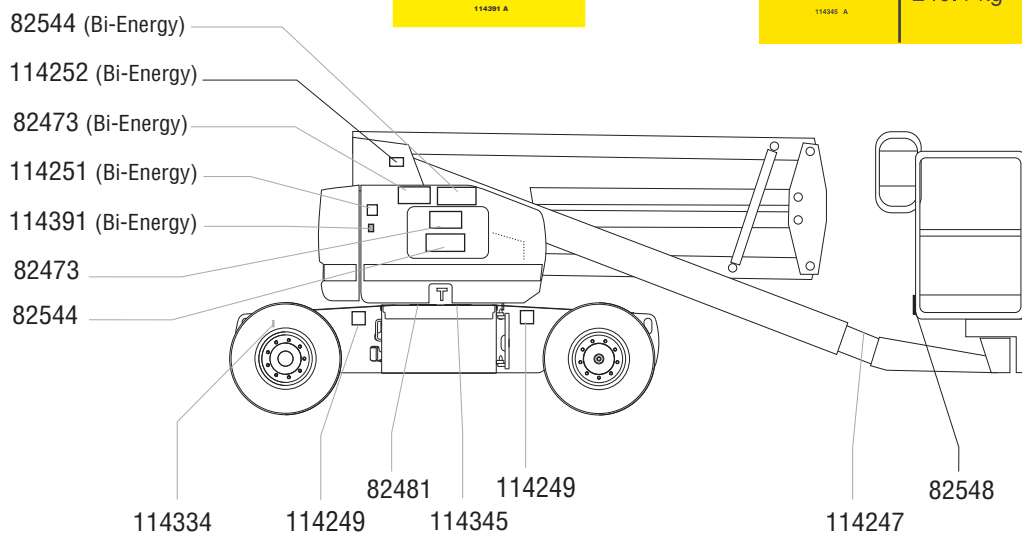
82473 (Bi-Energy)

114251 (Bi-Energy)

114391 (Bi-Energy)

82473

82544



Personal Safety

Fall Protection

Personal fall protection equipment (PFPE) is required when operating this machine.

Occupants must wear a safety belt or harness in accordance with governmental regulations. Attach the lanyard to the anchor provided in the platform.

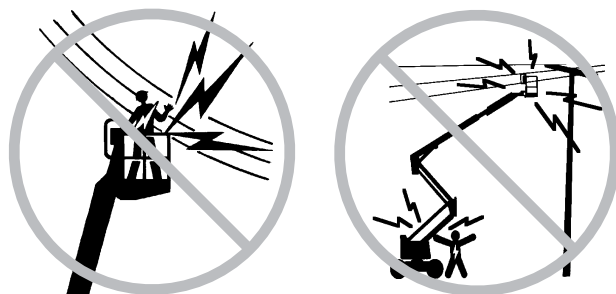
Operators must comply with employer, job site and governmental rules regarding the use of personal protective equipment.

All PFPE must comply with applicable governmental regulations, and must be inspected and used in accordance with the PFPE manufacturer's instructions.

Work Area Safety

⚠️ Electrocutation Hazards

This machine is not electrically insulated and will not provide protection from contact with or proximity to electrical current.



Maintain required clearances from electrical power lines and apparatus in accordance with applicable governmental regulations and the following chart.

Line Voltage	Required Clearance	
0 to 50KV	10 ft	3.0 m
50 to 200KV	15 ft	4.6 m
200 to 350KV	20 ft	6.1 m
350 to 500KV	25 ft	7.6 m
500 to 750KV	35 ft	10.6 m
750 to 1000KV	45 ft	13.7 m

Allow for platform movement, electrical line sway or sag and beware of strong or gusty winds.

Keep away from the machine if it contacts energized power lines. Personnel on the ground or in the platform must not touch or operate the machine until energized power lines are shut off.

Do not operate the machine during lightning or storms.

Do not use the machine as a ground for welding.

⚠️ Tip-over Hazards

Occupants, equipment and materials shall not exceed the maximum platform capacity.

Maximum platform capacity	500 lbs	227 kg
Maximum platform capacity Machine equipped with Aircraft Protection Package	440 lbs	200 kg
Maximum occupants	2	

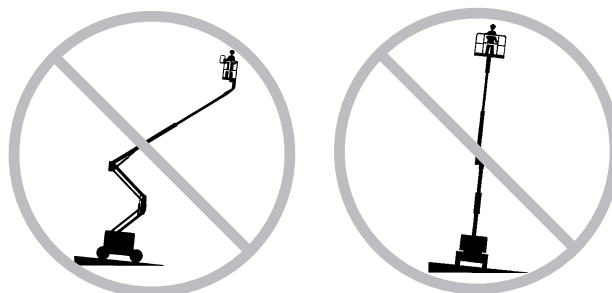
The weight of options and accessories, such as pipe cradles, panel cradles and welders, will reduce the rated platform capacity and must be factored into the total platform load. See the decals on the options and accessories.

If using accessories, read, understand and obey the decals and instructions with the accessory.

Do not alter or disable the limit switches.

Do not use air-filled tires. These machines are equipped with foam-filled tires. Wheel weight and proper counterweight configuration are critical to stability.

Do not raise or extend the boom unless the machine is on a firm, level surface.



Do not depend on the tilt alarm as a level indicator. The tilt alarm sounds in the platform only when the machine is on a severe slope.

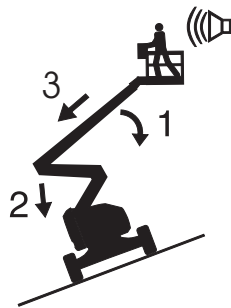
Work Area Safety

If the tilt alarm sounds while the boom is lowered:
Do not extend, rotate or raise the boom above horizontal. Move the machine to a firm, level surface before raising the platform.

If the tilt alarm sounds when the platform is raised:
Use extreme caution. Identify the condition of the boom on the slope as shown below. Follow the steps to lower the boom before moving to a firm, level surface. Do not rotate the boom while lowering.

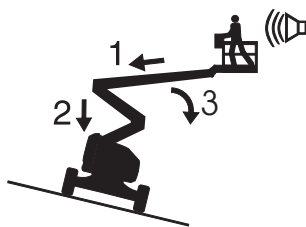
If the tilt alarm sounds with the platform uphill:

- 1 Lower the primary boom.
- 2 Lower the secondary boom.
- 3 Retract the primary boom.



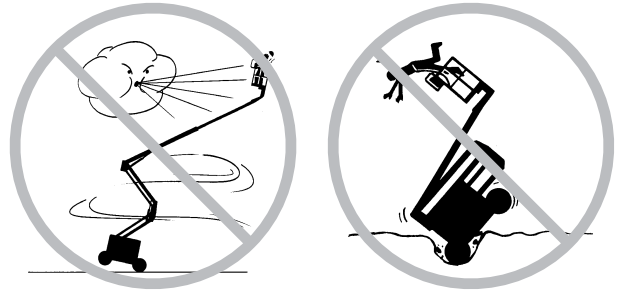
If the tilt alarm sounds with the platform downhill:

- 1 Retract the primary boom.
- 2 Lower the secondary boom.
- 3 Lower the primary boom.



Do not raise the boom when wind speeds may exceed 28 mph / 12.5 m/s. If wind speeds exceed 28 mph / 12.5 m/s when the boom is raised, lower the boom and do not continue to operate the machine.

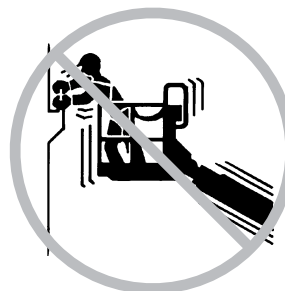
Do not operate the machine in strong or gusty winds. Do not increase the surface area of the platform or the load. Increasing the area exposed to the wind will decrease machine stability.



Use extreme care and slow speeds while driving the machine in the stowed position across uneven terrain, debris, unstable or slippery surfaces and near holes and drop-offs.

Do not drive the machine on or near uneven terrain, unstable surfaces or other hazardous conditions with the boom raised or extended.

Do not push off or pull toward any object outside of the platform.



Maximum allowable side force - ANSI & CSA
150 lbs / 667 N

Maximum allowable manual force - AUS
90 lbs / 400 N

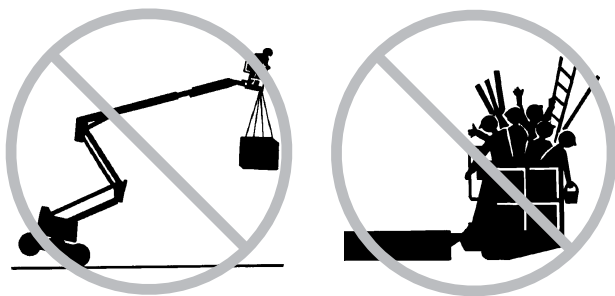
Work Area Safety

Do not alter or disable machine components that in any way affect safety and stability.

Do not replace items critical to machine stability with items of different weight or specification.

Do not modify or alter an aerial work platform without prior written permission from the manufacturer. Mounting attachments for holding tools or other materials onto the platform, toeboards or guard rail system can increase the weight in the platform and the surface area of the platform or the load.

Do not place or attach overhanging loads to any part of this machine.



Do not place ladders or scaffolds in the platform or against any part of this machine.

Do not transport tools and materials unless they are evenly distributed and can be safely handled by person(s) in the platform.

Do not use the machine on a moving or mobile surface or vehicle.

Be sure all tires are in good condition and lug nuts are properly tightened.

Do not use the platform controls to free a platform that is caught, snagged or otherwise prevented from normal motion by an adjacent structure. All personnel must be removed from the platform before attempting to free the platform using the ground controls.

Do not use batteries that weigh less than the original equipment. Batteries are used as counterweight and are critical to machine stability. Each battery must weigh a minimum of 105 lbs / 47.6 kg. Each battery box including batteries must weigh a minimum of 530 lbs / 240.4 kg.

Do not use the machine as a crane.

Do not push the machine or other objects with the boom.

Do not contact adjacent structures with the boom.

Do not tie the boom or platform to adjacent structures.

Do not place loads outside the platform perimeter.

⚠ Operation on Slopes Hazards

Do not drive the machine on a slope that exceeds the maximum uphill, downhill or side slope rating of the machine. Slope rating applies only to machines in the stowed position.

Maximum slope rating, stowed position

Platform downhill	30% (17°)
Platform uphill	20% (11°)
Side slope	25% (14°)

Note: Slope rating is subject to ground conditions and adequate traction. See Driving on a Slope in the Operating Instructions section.

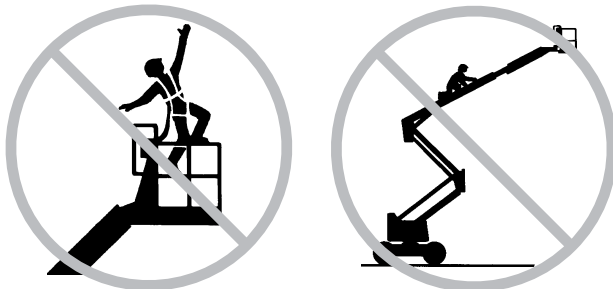
Work Area Safety

⚠ Fall Hazards



Occupants must wear a safety belt or harness in accordance with governmental regulations. Attach the lanyard to the anchor provided in the platform.

Do not sit, stand or climb on the platform guard rails. Maintain a firm footing on the platform floor at all times.



Do not climb down from the platform when raised.

Keep the platform floor clear of debris.

Lower the platform entry mid-rail or close the entry gate before operating.

Do not enter or exit the platform unless the machine is in the stowed position and the platform is at ground level.

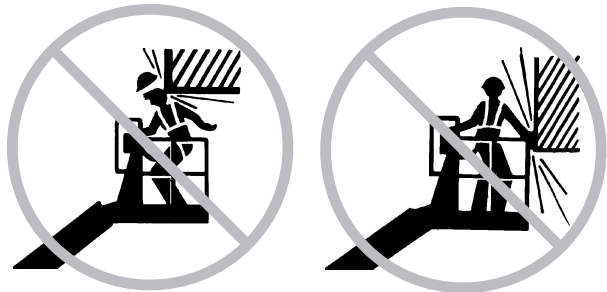
⚠ Collision Hazards



Be aware of limited sight distance and blind spots when driving or operating.

Be aware of the boom position and tailswing when rotating the turntable.

Check the work area for overhead obstructions or other possible hazards.



Be aware of crushing hazards when grasping the platform guard rail.

Operators must comply with employer, job site and governmental rules regarding the use of personal protective equipment.

Observe and use the color-coded direction arrows on the platform controls and drive chassis for drive and steer functions.

Work Area Safety

Do not lower the boom unless the area below is clear of personnel and obstructions.



Limit travel speed according to the condition of the ground surface, congestion, slope, location of personnel, and any other factors which may cause collision.

Do not operate a boom in the path of any crane unless the controls of the crane have been locked out and/or precautions have been taken to prevent any potential collision.

No stunt driving or horseplay while operating a machine.

⚠ Explosion and Fire Hazards

All models:

Charge the battery only in an open, well-ventilated area away from sparks, flames and lighted tobacco.

Do not operate the machine in hazardous locations or locations where potentially flammable or explosive gases or particles may be present.

Bi-Energy models:

Do not start the engine if you smell or detect liquid petroleum gas (LPG), gasoline, diesel fuel or other explosive substances.

Do not refuel the machine with the engine running.

Refuel the machine only in an open, well-ventilated area away from sparks, flames and lighted tobacco.

Do not spray ether into engines equipped with glow plugs.

Work Area Safety

⚠ Bodily Injury Hazard

All models:

Do not operate the machine with a hydraulic oil or air leak. An air leak or hydraulic leak can penetrate and/or burn skin.

Improper contact with components under any cover will cause serious injury. Only trained maintenance personnel should access compartments. Access by the operator is only advised when performing a pre-operation inspection. All compartments must remain closed and secured during operation.

Bi-Energy models:

When the engine is running, operate the machine in a well-ventilated area to avoid carbon monoxide poisoning.

⚠ Damaged Machine Hazards

Do not use a damaged or malfunctioning machine.

Conduct a thorough pre-operation inspection of the machine and test all functions before each work shift. Immediately tag and remove from service a damaged or malfunctioning machine.

Be sure all maintenance has been performed as specified in this manual and the appropriate service manual.

Be sure all decals are in place and legible.

Be sure the operator's, safety and responsibilities manuals are complete, legible and in the storage container located on the platform.

⚠ Component Damage Hazard

All models:

Do not use the machine as a ground for welding.

Bi-Energy models:

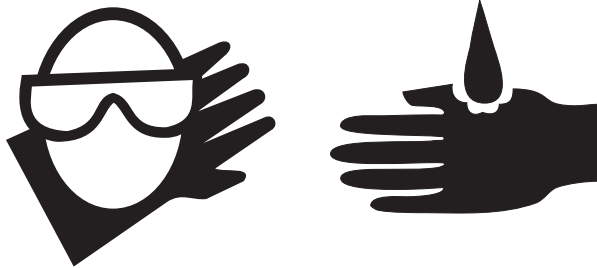
Do not use any battery or charger greater than 12V to jump-start the engine.

Work Area Safety

⚠ Battery Safety

Burn Hazards

Batteries contain acid. Always wear protective clothing and eye wear when working with batteries.



Avoid spilling or contacting battery acid. Neutralize battery acid spills with baking soda and water.

The battery pack must remain in the upright position.

Do not expose the batteries or the charger to water or rain.

Explosion Hazards



Keep sparks, flames and lighted tobacco away from batteries. Batteries emit an explosive gas.

The battery pack cover must remain off during the entire charging cycle.

Do not contact the battery terminals or the cable clamps with tools that may cause sparks.

Component Damage Hazards

Do not use any battery charger greater than 48V to charge the batteries.

Both battery packs must be charged together.

Disconnect the battery pack plug before removing the battery pack.

Electrocution Hazards



Connect the battery charger to a grounded, AC 3-wire electrical outlet only.

Inspect daily for damaged cord, cables and wires. Replace damaged items before operating.

Avoid electrical shock from contact with battery terminals. Remove all rings, watches and other jewelry.

Tip-over Hazard

Do not use batteries that weigh less than the original equipment. Batteries are used as counterweight and are critical to machine stability. Each battery must weigh a minimum of 105 lbs / 47.6 kg. Each battery box including batteries must weigh a minimum of 530 lbs / 240.4 kg.

Lifting Hazard

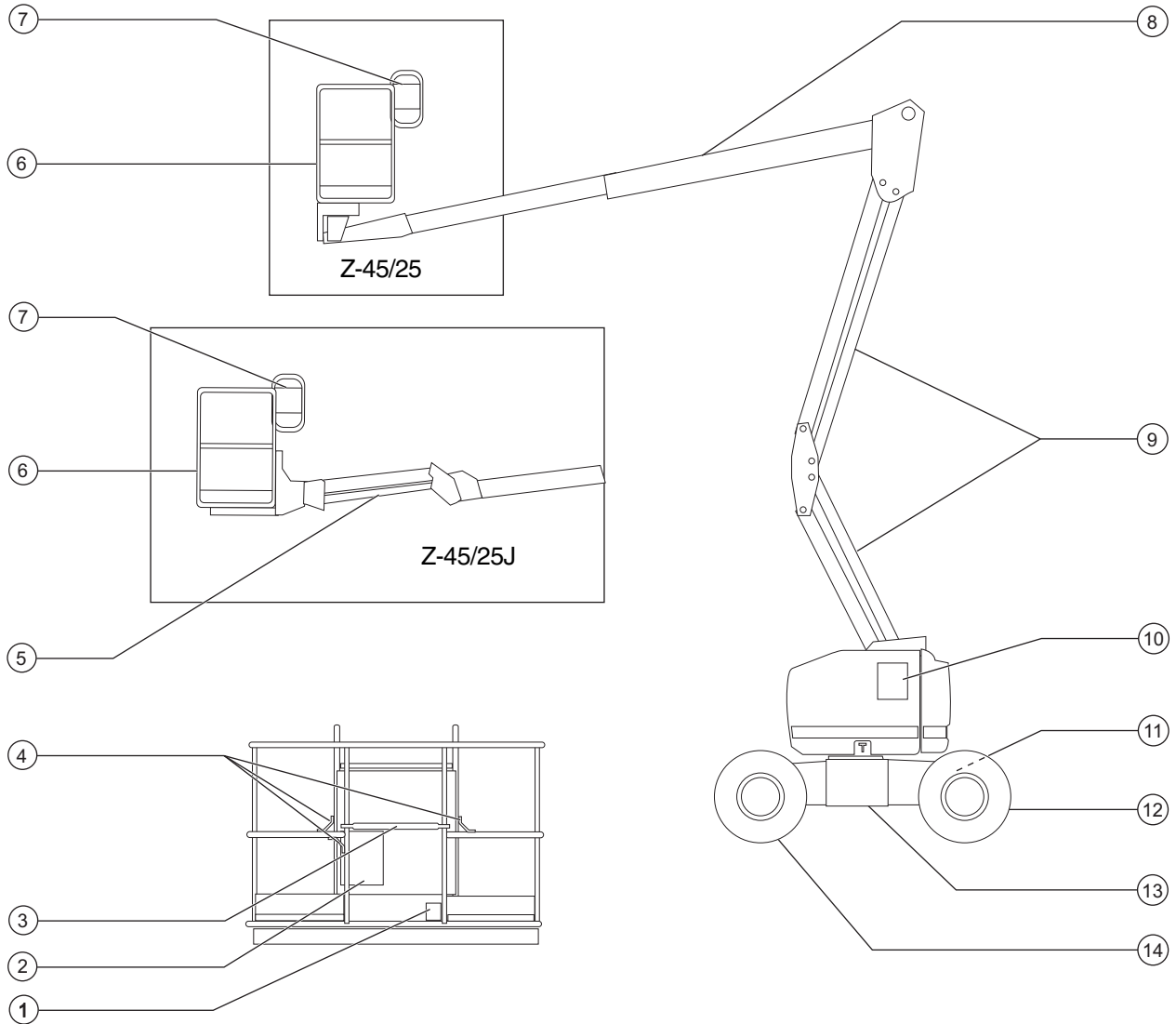
Use a forklift to remove or install the battery packs.

Work Area Safety

Lockout After Each Use

- 1 Select a safe parking location—firm level surface, clear of obstruction and traffic.
- 2 Retract and lower the boom to the stowed position.
- 3 Rotate the turntable so that the boom is between the non-steer wheels.
- 4 Turn the key switch to the off position and remove the key to secure from unauthorized use.
- 5 Chock the wheels.

Legend

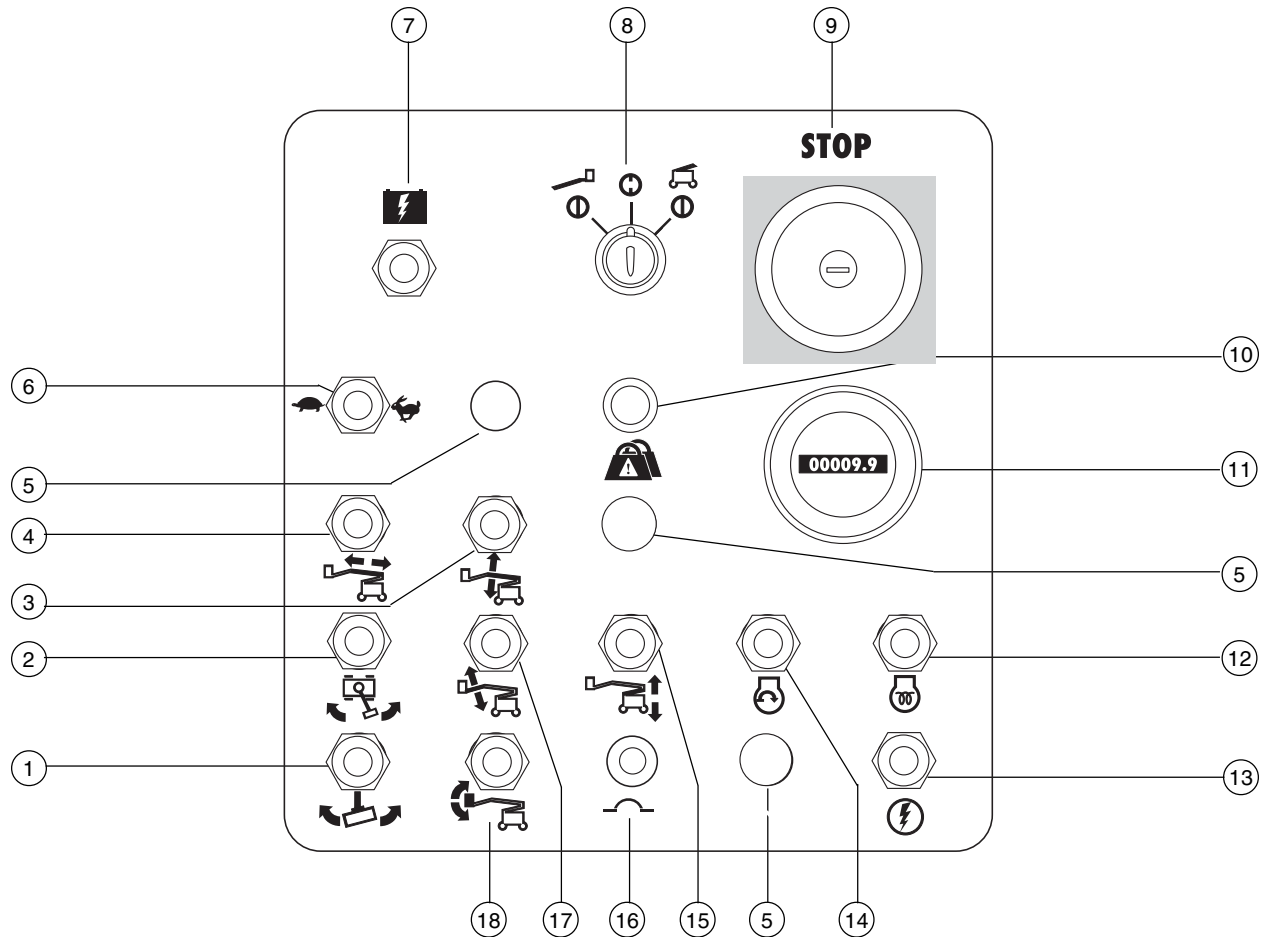


- 1 Foot switch
- 2 Manual storage container
- 3 Sliding mid-rail
- 4 Lanyard anchorage point
- 5 Jib boom (Z-45/25J)
- 6 Platform
- 7 Platform controls

- 8 Primary boom
- 9 Secondary boom
- 10 Ground controls
- 11 Power to charger (between tires)
- 12 Steer tire
- 13 Battery box
- 14 Non-steer tire



Controls



Ground Control Panel

- | | |
|---|---|
| <ul style="list-style-type: none"> 1 Platform rotate switch 2 Turntable rotate switch 3 Primary boom up/down switch 4 Primary boom extend/retract switch 5 Used for optional equipment 6 Bi-Energy models:
Engine idle (rpm) select switch <ul style="list-style-type: none"> • turtle: low idle • rabbit: high idle and quickest battery charging 7 Auxiliary power switch | <ul style="list-style-type: none"> 8 Key switch for platform/off/ground selection 9 Red Emergency Stop button 10 Not used 11 Hour meter 12 Bi-Energy models: Glow plug switch 13 Function enable switch 14 Bi-Energy models: Engine start switch 15 Secondary boom up/down switch 16 10A breaker for control electrical circuits 17 Z-45/25J: Jib boom up/down switch 18 Platform level switch |
|---|---|



Controls

Ground Control Panel

1 Platform rotate switch

Move the platform rotate switch to the right and the platform will rotate to the right. Move the platform rotate switch to the left and the platform will rotate to the left.



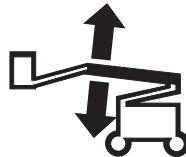
2 Turntable rotate switch

Move the switch to the right and the turntable will move to the right. Move the switch to the left and the turntable will move to the left.



3 Primary boom up/down switch

Move the switch up and the primary boom will raise. Move the switch down and the primary boom will lower.



4 Primary boom extend/retract switch

Move the switch to the left and the boom will extend. Move the switch to the right and the boom will retract.



5 Used for optional equipment

6 Bi-Energy models: Engine idle (rpm) select switch

Move the switch to the left (turtle) for low idle. Move the switch to the right (rabbit) for high idle and quickest battery charging.

7 Auxiliary power switch

Use auxiliary power if the primary power source fails.

Simultaneously hold the auxiliary power switch to either side and activate the desired function.

8 Key switch for platform/off/ground selection

Turn the key switch to the platform position and the platform controls will operate. Turn the key switch to the off position and the machine will be off. Turn the key switch to the ground position and the ground controls will operate.

9 Red Emergency Stop button

Push in the red Emergency Stop button to the off position to stop all functions. Pull out the red Emergency Stop button to the on position to operate the machine.

10 Not used

11 Hour meter

The hour meter displays the number of hours the machine has operated.

12 Bi-Energy models: Glow plug switch

Move the glow plug switch to either side and hold for 3 to 5 seconds before starting the engine.

13 Function enable switch

Move the function enable switch to either side to enable the functions on the ground control panel to operate.

14 Bi-Energy models: Engine start switch

Move the engine start switch to either side to start the engine.

15 Secondary boom up/down switch

Move the switch up and the secondary boom will raise. Move the switch down and the secondary boom will lower.



Controls

16 10A breaker for control electrical circuits.

17 Z-45/25J: Jib boom up/down switch

Move the switch up and the jib boom will raise. Move the switch down and the jib boom will lower.

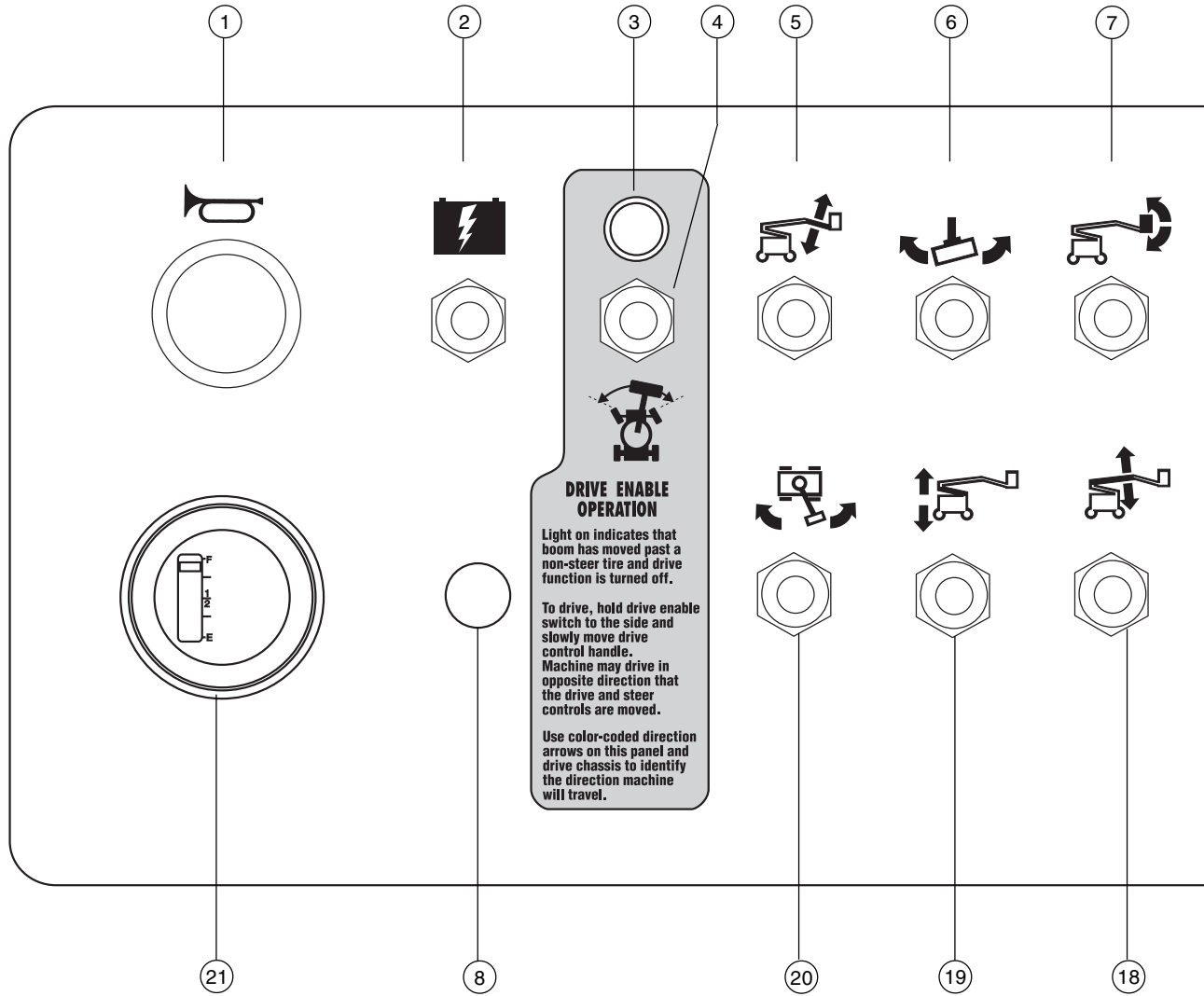


18 Platform level switch

Move the platform level switch up and the level of the platform will raise. Move the platform level switch down and the level of the platform will lower.



Controls



DRIVE ENABLE OPERATION

Light on indicates that boom has moved past a non-steer tire and drive function is turned off.

To drive, hold drive enable switch to the side and slowly move drive control handle. Machine may drive in opposite direction that the drive and steer controls are moved.

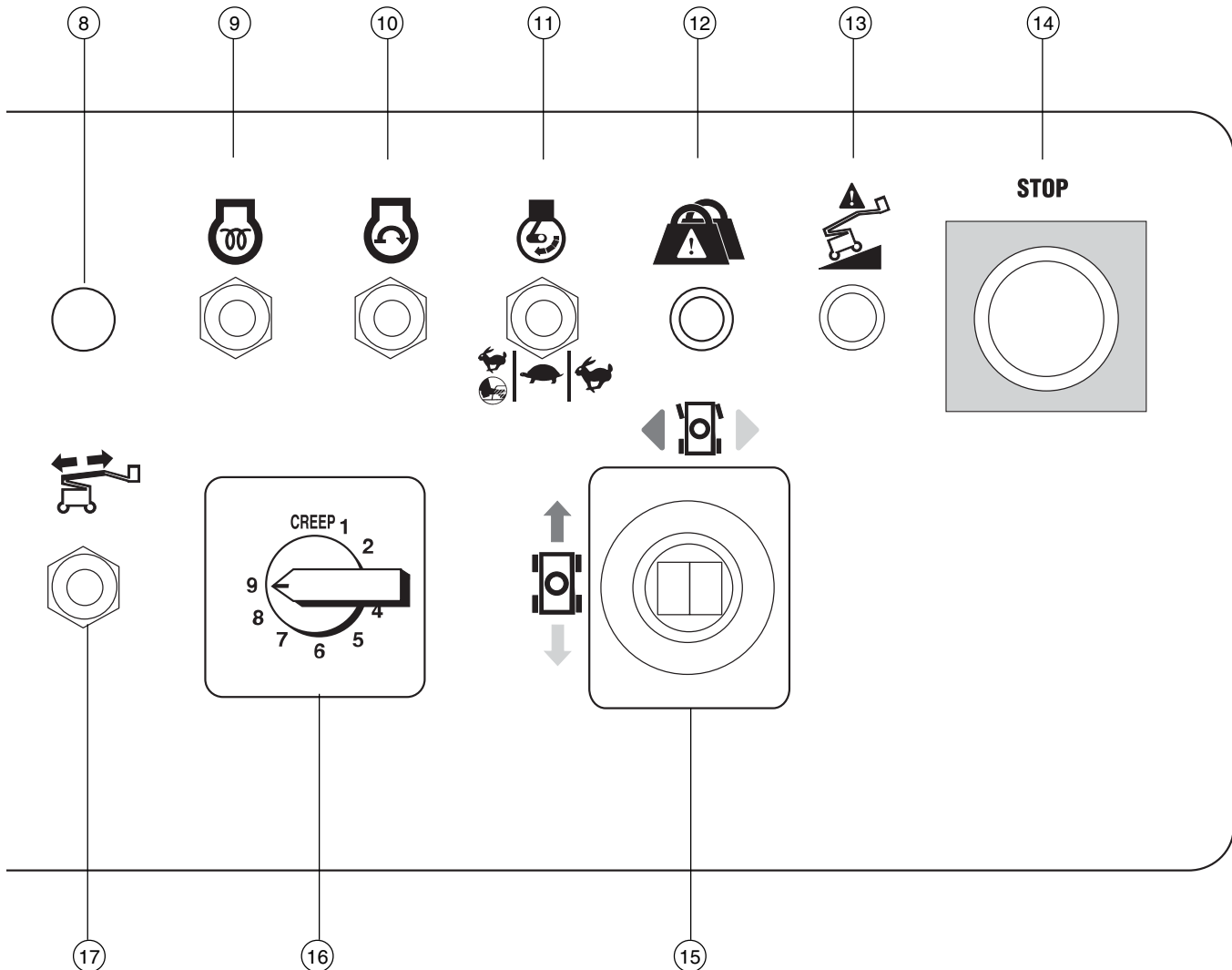
Use color-coded direction arrows on this panel and drive chassis to identify the direction machine will travel.

Platform Control Panel

- 1 Horn button
- 2 Auxiliary power switch
- 3 Drive enable indicator light
- 4 Drive enable switch
- 5 Z-45/25J: Jib boom up/down switch
- 6 Platform rotate switch
- 7 Platform level switch
- 8 Used for optional equipment
- 9 Bi-Energy models: Glow plug switch
- 10 Bi-Energy models: Engine start switch
- 11 Bi-Energy models:
 - Engine idle (rpm) select switch
 - Rabbit & Foot Switch: foot switch activated high idle
 - Turtle: low idle
 - Rabbit: high idle and quickest battery charging



Controls



12 Not used

13 Machine not level indicator light

14 Red Emergency Stop button

15 Proportional control handle for drive function and thumb rocker for steer function

16 Boom function speed controller

17 Primary boom extend/retract switch

18 Primary boom up/down switch

19 Secondary boom up/down switch

20 Turntable rotate switch

21 Battery charge indicator

Controls

Platform Control Panel

1 Horn button

Push the horn button and the horn will sound.
Release the horn button and the horn will stop.

2 Auxiliary power switch

Use auxiliary power if the primary power source fails.
Simultaneously hold the auxiliary power switch to either side and activate the desired function.

3 Drive enable indicator light

Light on indicates that the boom has moved just past either non-steer wheel and drive function has been interrupted.

4 Drive enable switch

To drive when the drive enable light is on, hold the drive enable switch to either side and slowly move the drive control handle off center. Be aware that the machine may move in the opposite direction that the drive and steer controls are moved.

5 Z-45/25J: Jib boom up/down switch

Move the switch up and the jib boom will raise. Move the switch down and the jib boom will lower.



6 Platform rotate switch

Move the platform rotate switch to the right and the platform will rotate to the right. Move the platform rotate switch to the left and the platform will rotate to the left.



7 Platform level switch

Move the platform level switch up and the level of the platform will raise. Move the platform level switch down and the level of the platform will lower.



8 Used for optional equipment

9 Bi-Energy models: Glow plug switch

Move the glow plug switch to either side and hold for 3 to 5 seconds before starting the engine.

10 Bi-Energy models: Engine start switch

Move the engine start switch to either side to start the engine.

11 Bi-Energy models: Engine idle (rpm) select switch

Move the switch to the left (rabbit & foot switch) for foot switch activated high idle.

Move the switch to the center (turtle) for low idle.

Move the switch to the right (rabbit) for high idle and quickest battery charging.

12 Not used.

13 Machine not level indicator light

The machine not level indicator light will come on when the tilt alarm sounds.

14 Red Emergency Stop button

Push in the red Emergency Stop button to the off position to stop all functions. Pull out the red Emergency Stop button to the on position to operate the machine.

Controls

- 15 Proportional control handle for drive function and thumb rocker for steer function

Move the control handle in the direction indicated by the blue arrow on the control panel and the machine will drive forward. Move the control handle in the direction indicated by the yellow arrow and the machine will drive backwards.

Press the left side of the thumb rocker and the machine will steer to the left. Press the right side of the thumb rocker and the machine will steer to the right.

- 16 Boom function speed controller

Turn the dial to increase or decrease the speed of the machine functions.

- 17 Primary boom extend/retract switch

Move the switch down and the primary boom will extend.
Move the switch up and the primary boom will retract.



- 18 Primary boom up/down switch

Move the switch up and the primary boom will raise.
Move the switch down and the primary boom will lower.



- 19 Secondary boom up/down switch

Move the switch up and the secondary boom will raise.
Move the switch down and the secondary boom will lower.



- 20 Turntable rotate switch

Move the switch to the right and the turntable will move to the right. Move the switch to the left and the turntable will move to the left.



- 21 Battery charge indicator

The battery charge indicator displays the charge level of the batteries.

Inspections



Do Not Operate Unless:

- You learn and practice the principles of safe machine operation contained in this operator's manual.
 - 1 Avoid hazardous situations.
 - 2 Always perform a pre-operation inspection.**
- Know and understand the pre-operation inspection before going on to the next section.**
- 3 Always perform function tests prior to use.
- 4 Inspect the workplace.
- 5 Only use the machine as it was intended.

Pre-operation Inspection Fundamentals

It is the responsibility of the operator to perform a pre-operation inspection and routine maintenance.

The pre-operation inspection is a visual inspection performed by the operator prior to each work shift. The inspection is designed to discover if anything is apparently wrong with a machine before the operator performs the function tests.

The pre-operation inspection also serves to determine if routine maintenance procedures are required. Only routine maintenance items specified in this manual may be performed by the operator.

Refer to the list on the next page and check each of the items.

If damage or any unauthorized variation from factory delivered condition is discovered, the machine must be tagged and removed from service.

Repairs to the machine may only be made by a qualified service technician, according to the manufacturer's specifications. After repairs are completed, the operator must perform a pre-operation inspection again before going on to the function tests.

Scheduled maintenance inspections shall be performed by qualified service technicians, according to the manufacturer's specifications and the requirements listed in the responsibilities manual.

Inspections

Pre-operation Inspection

- Be sure that the operator's, safety and responsibilities manuals are complete, legible and in the storage container located in the platform.
- Be sure that all decals are legible and in place. See Inspections section.
- Check for hydraulic oil leaks and proper oil level. Add oil if needed. See Maintenance section.
- Check for battery fluid leaks and proper fluid level. Add distilled water if needed. See Maintenance section.
- Bi-Energy models: Check for engine oil leaks and proper fluid level. Add oil if needed. See Maintenance section.
- Bi-Energy models: Check for engine coolant leaks and proper fluid level. Add coolant if needed. See Maintenance section.

Check the following components or areas for damage, improperly installed or missing parts and unauthorized modifications:

- Electrical components, wiring and electrical cables
- Hydraulic hoses, fittings, cylinders and manifolds
- Hydraulic tank
- Drive and turntable motors and drive hubs
- Boom wear pads
- Tires and wheels
- Limit switches and horn
- Alarms and beacons (if equipped)
- Engine and related components (if equipped)

- Fuel tank (if equipped)
- Nuts, bolts and other fasteners
- Platform entry mid-rail or gate

Check entire machine for:

- Cracks in welds or structural components
- Dents or damage to machine
- Excessive rust, corrosion or oxidation
- Be sure that all structural and other critical components are present and all associated fasteners and pins are in place and properly tightened.
- Be sure that both battery packs are in place and properly connected.
- After you complete your inspection, be sure that all compartment covers are in place and latched.

Inspections



Do Not Operate Unless:

- You learn and practice the principles of safe machine operation contained in this operator's manual.
 - 1 Avoid hazardous situations.
 - 2 Always perform a pre-operation inspection.
 - 3 Always perform function tests prior to use.**
- Know and understand the function tests before going on to the next section.**
 - 4 Inspect the workplace.
 - 5 Only use the machine as it was intended.

Function Test Fundamentals

The function tests are designed to discover any malfunctions before the machine is put into service. The operator must follow the step-by-step instructions to test all machine functions.

A malfunctioning machine must never be used. If malfunctions are discovered, the machine must be tagged and removed from service. Repairs to the machine may only be made by a qualified service technician, according to the manufacturer's specifications.

After repairs are completed, the operator must perform a pre-operation inspection and function tests again before putting the machine into service.

Inspections

- 1 Select a test area that is firm, level and free of obstruction.

At the Ground Controls

- 2 Turn the key switch to ground control.
 - 3 Pull out the red Emergency Stop button to the on position.
- ⦿ Result: The beacon (if equipped) should flash.
- 4 Bi-Energy models: Start the engine. See Operating Instructions section.

Test Emergency Stop

- 5 Push in the red Emergency Stop button to the off position.
- ⦿ Result: The engine (if equipped) should turn off.
- 6 Activate each machine function control handle or toggle switch.
- ⦿ Result: No functions should operate.
- 7 Pull out the red Emergency Stop button to the on position.

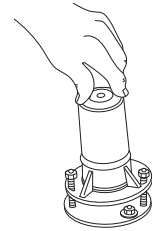
Test Machine Functions and Descent Alarm

- 8 Do not hold the function enable switch to either side. Attempt to activate each boom and platform function toggle switch.
- ⦿ Result: All boom and platform functions should not operate.
- 9 Hold the function enable switch to either side and activate each boom and platform function toggle switch.
- ⦿ Result: All boom and platform functions should operate through a full cycle. The descent alarm should sound while the boom is lowering.



Test the Tilt Sensor

- 10 Pull out the platform red Emergency Stop button to the on position. Turn the key switch to platform control.
 - 11 Open the turntable cover on the side opposite the ground controls and locate the tilt sensor.
 - 12 Press down one side of the tilt sensor.
- ⦿ Result: The alarm, located in the platform, should sound.



Test Auxiliary Controls

- 13 Turn the key switch to ground control.
- 14 Pull out the red Emergency Stop button to the on position.
- 15 Simultaneously hold the auxiliary power switch on and activate each boom function toggle switch.



Note: To conserve battery power, test each function through a partial cycle.

- ⦿ Result: All boom functions should operate.

Inspections

At the Platform Controls

- 16 Turn the key switch to platform control.
- 17 Pull out the red Emergency Stop button to the on position.
- 18 Bi-Energy models: Start the engine. See Operating Instructions section.

Test Emergency Stop

- 19 Turn the key switch to platform control.
- 20 Push in the platform red Emergency Stop button to the off position.
- ⊙ Result: The engine (if equipped) should turn off.
- 21 Activate each machine function control handle or toggle switch.
- ⊙ Result: No functions should operate.
- 22 Pull out the red Emergency Stop button.

Test the Horn

- 23 Push the horn button.
- ⊙ Result: The horn should sound.

Test the Foot Switch

- 24 Do not press down the foot switch. Test each machine function.
- ⊙ Result: The machine functions should not operate.

Test Machine Functions and Descent Alarm

- 25 Press down the foot switch.
- 26 Activate each machine function control handle or toggle switch.
- ⊙ Result: All boom and platform functions should operate through a full cycle. The descent alarm should sound while the boom is lowering.

Test the Steering

- 27 Press down the foot switch.
- 28 Press the thumb rocker switch on top of the drive control handle in the direction indicated by the blue triangle on the control panel.
- ⊙ Result: The steer wheels should turn in the direction that the blue triangles point on the drive chassis.
- 29 Press the thumb rocker switch in the direction indicated by the yellow triangle on the control panel.
- ⊙ Result: The steer wheels should turn in the direction that the yellow triangles point on the drive chassis.

Test Drive and Braking

- 30 Press down the foot switch.
- 31 Slowly move the drive control handle in the direction indicated by the blue arrow on the control panel until the machine begins to move, then return the handle to the center position.
- ⊙ Result: The machine should move in the direction that the blue arrow points on the drive chassis, then come to an abrupt stop.
- 32 Slowly move the drive control handle in the direction indicated by the yellow arrow on the control panel until the machine begins to move, then return the handle to the center position.
- ⊙ Result: The machine should move in the direction that the yellow arrow points on the drive chassis, then come to an abrupt stop.

Note: The brakes must be able to hold the machine on any slope it is able to climb.

Inspections

Test the Drive Enable System

33 Press down the foot switch and lower the boom to the stowed position.

34 Rotate the turntable until the boom moves past one of the non-steer wheels.



⦿ Result: The drive enable indicator light should come on and remain on while the boom is anywhere in the range shown.

35 Move the drive control handle off center.

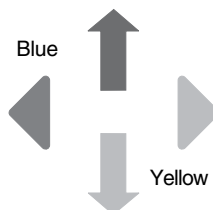
⦿ Result: The drive function should not operate.

36 Move and hold the drive enable toggle switch to either side and slowly move the drive control handle off center.

⦿ Result: The drive function should operate.

Note: When the drive enable system is in use, the machine may drive in the opposite direction that the drive and steer control handle is moved.

Use the color-coded direction arrows on the platform controls and the drive chassis to identify the direction of travel.



Test Limited Drive Speed

37 Press down the foot switch.

38 Raise the primary boom approximately 3 feet / 90 cm.

39 Slowly move the drive control handle to the full drive position.

⦿ Result: The maximum achievable drive speed with the primary boom raised should not exceed 1 foot / 30 cm per second.

40 Lower the primary boom to the stowed position.

41 Raise the secondary boom approximately 3 feet / 91 cm.

42 Slowly move the drive control handle to the full drive position.

⦿ Result: The maximum achievable drive speed with the secondary boom raised should not exceed 1 foot / 30 cm per second.

43 Lower the secondary boom to the stowed position.

44 Extend the primary boom approximately 2 feet / 60 cm.

45 Slowly move the drive control handle to the full drive position.

⦿ Result: The maximum achievable drive speed with the primary boom extended should not exceed 1 foot / 30 cm per second.

46 Retract the boom.

If the drive speed with the primary boom raised, the secondary boom raised or the primary boom extended exceeds 1 foot / 30 cm per second, immediately tag and remove the machine from service.

Inspections

Test Auxiliary Controls

- 47 Pull out the red Emergency Stop button to the on position.
- 48 Press down the foot switch.
- 49 Simultaneously hold the auxiliary power switch on and activate each function control handle or toggle switch.

Note: To conserve battery power, test each function through a partial cycle.

- ⦿ Result: All boom and steer functions should operate. Drive functions should not operate with auxiliary power.

Inspections



Do Not Operate Unless:

- You learn and practice the principles of safe machine operation contained in this operator's manual.

- 1 Avoid hazardous situations.
- 2 Always perform a pre-operation inspection.
- 3 Always perform function tests prior to use.

4 Inspect the workplace.

Know and understand the workplace inspection before going on to the next section.

- 5 Only use the machine as it was intended.

Workplace Inspection

Be aware of and avoid the following hazardous situations:

- drop-offs or holes
- bumps, floor obstructions or debris
- sloped surfaces
- unstable or slippery surfaces
- overhead obstructions and high voltage conductors
- hazardous locations
- inadequate surface support to withstand all load forces imposed by the machine
- wind and weather conditions
- the presence of unauthorized personnel
- other possible unsafe conditions

Fundamentals

The workplace inspection helps the operator determine if the workplace is suitable for safe machine operation. It should be performed by the operator prior to moving the machine to the workplace.

It is the operator's responsibility to read and remember the workplace hazards, then watch for and avoid them while moving, setting up and operating the machine.

Inspections

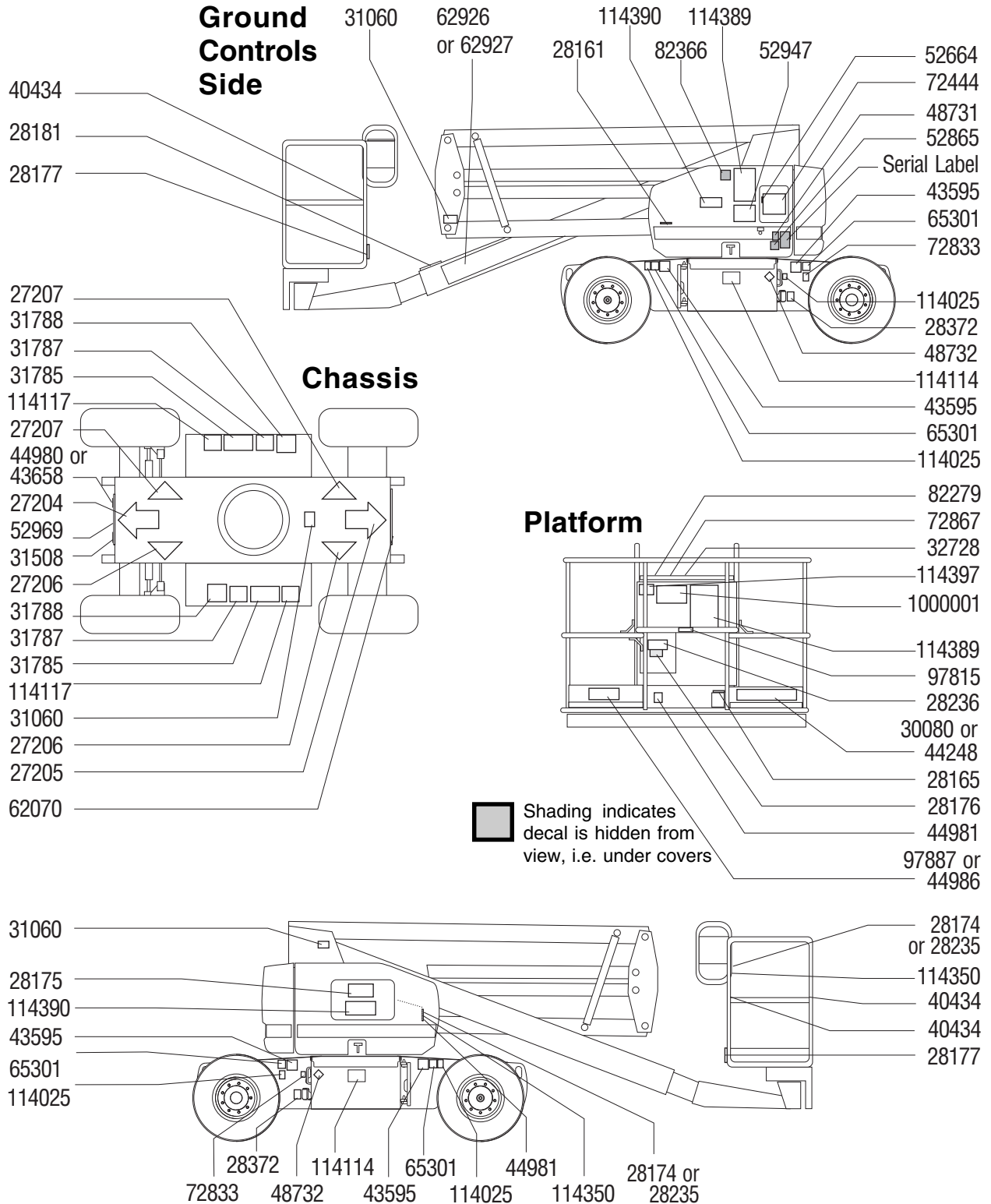
DC Models - Inspection for Decals with Words

Determine whether the decals on your machine have words or symbols. Use the appropriate inspection to verify that all decals are legible and in place.

Part No.	Decal Description	Quantity
27204	Arrow - Blue	1
27205	Arrow - Yellow	1
27206	Triangle - Blue	2
27207	Triangle - Yellow	2
28161	Warning - Crushing Hazard	1
28165	Instructions - Foot Switch	1
28174	Label - Power to Platform, 230V	2
28175	Warning - Compartment Access	1
28176	Label - Missing Manuals	1
28177	Warning - Platform Rotate	2
28181	Warning - Fall Hazard	1
28235	Label - Power to Platform, 115V	2
28236	Warning - Improper Operation	1
28372	Notice - Battery Cables	2
30080	Instructions - Maximum Capacity, 500 lbs / 227 kg	1
31060	Danger - Tip-over Hazard, Interlock	3
31508	Danger - Electrocution Hazard, AC Power Supply	1
31785	Instructions - Battery Charger	2
31787	Danger - Tip-over Hazard, Batteries	2
31788	Danger - Battery Safety	2
32728	Label - AC Inverter (option)	1
40434	Label - Lanyard Anchorage	3
43595	Danger - Tip-over Hazard, Tires	4
43658	Label - Power to Charger, 230V	1
44248	Instructions - Maximum Capacity, 440 lbs / 200 kg (Aircraft Protection option)	1
44980	Label - Power to Charger, 115V	1
44981	Label - Air Line to Platform (option)	2

Part No.	Decal Description	Quantity
44986	Instructions - Maximum Manual Force, AUS, 90 lbs / 400 N	1
48731	Label - FM Approval (option)	1
48732	Label - EE Rating (option)	2
52664	Label - Controller Status Indicator Light	1
52865	Warning - Annual Service Inspection	1
52947	Instructions - Operating Instructions, Ground Controls	1
52969	Cosmetic - Genie Boom	1
62070	Cosmetic - DC Power	1
62926	Cosmetic - Genie Z-45/25J	1
62927	Cosmetic - Genie Z-45/25	1
65301	Label - Tire Specifications	4
72444	Ground Control Panel	1
72833	Label - Open	2
72867	Label - Lights (option)	1
82279	Platform Control Panel	1
82366	Label - Chevron Rykon	1
97815	Label - Lower Mid-rail	1
97887	Instructions - Maximum Side Force, ANSI & CSA, 150 lbs / 667 N	1
114025	Label - Wheel Load	4
114114	Label - Transport Diagram	2
114117	Instructions - Battery Connection	2
114350	Label - AC Inverter Power (option)	2
114389	Danger - Safety Rules	2
114390	Danger - Electrocution Hazard	2
114397	Danger - Tilt Alarm	1
1000001	Instructions - Operating Instructions, Platform Controls	1

Inspections



Inspections

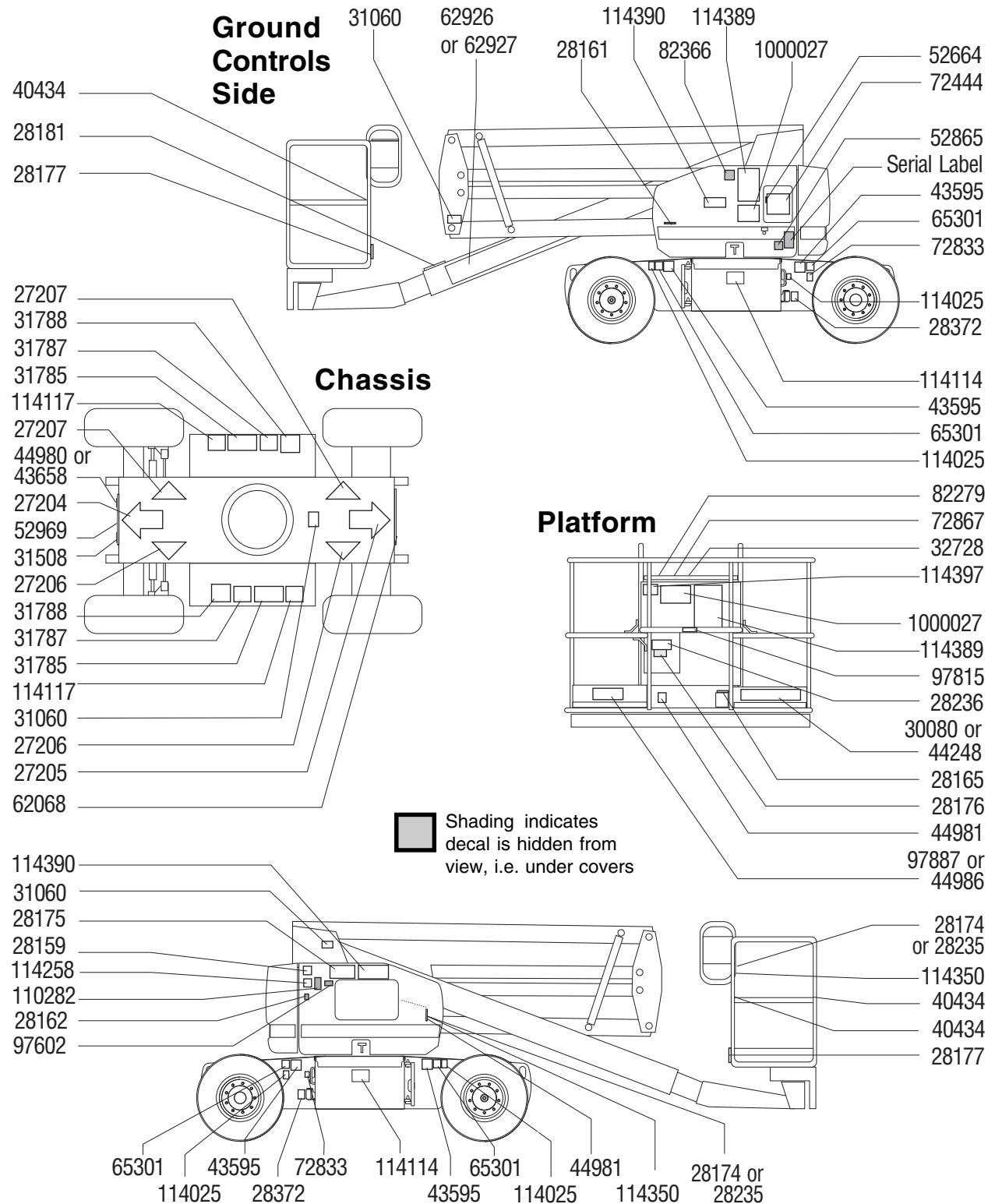
Bi-Energy Models - Inspection for Decals with Words

Determine whether the decals on your machine have words or symbols. Use the appropriate inspection to verify that all decals are legible and in place.

Part No.	Decal Description	Quantity
27204	Arrow - Blue	1
27205	Arrow - Yellow	1
27206	Triangle - Blue	2
27207	Triangle - Yellow	2
28159	Label - Diesel	1
28161	Warning - Crushing Hazard	1
28162	Warning - Cushing Hazard	1
28165	Instructions - Foot Switch	1
28174	Label - Power to Platform, 230V	2
28175	Warning - Compartment Access	1
28176	Label - Missing Manuals	1
28177	Warning - Platform Rotate	2
28181	Warning - Fall Hazard	1
28235	Label - Power to Platform, 115V	2
28236	Warning - Improper Operation	1
28372	Notice - Battery Cables	2
30080	Instructions - Maximum Capacity, 500 lbs / 227 kg	1
31060	Danger - Tip-over Hazard, Interlock	3
31508	Danger - Electrocutation Hazard, AC Power Supply	1
31785	Instructions - Battery Charger	2
31787	Danger - Tip-over Hazard, Batteries	2
31788	Danger - Battery Safety	2
32728	Label - AC Inverter (option)	1
40434	Label - Lanyard Anchorage	3
43595	Danger - Tip-over Hazard, Tires	4
43658	Label - Power to Charger, 230V	1
44248	Instructions - Maximum Capacity, 440 lbs / 200 kg (Aircraft Protection option)	1
44980	Label - Power to Charger, 115V	1

Part No.	Decal Description	Quantity
44981	Label - Air Line to Platform (option)	2
44986	Instructions - Maximum Manual Force, AUS, 90 lbs / 400 N	1
52664	Label - Controller Status Indicator Light	1
52865	Warning - Annual Service Inspection	1
52969	Cosmetic - Genie Boom	1
62068	Cosmetic - Bi-Energy	1
62926	Cosmetic - Genie Z-45/25J	1
62927	Cosmetic - Genie Z-45/25	1
65301	Label - Tire Specifications	4
72444	Ground Control Panel	1
72833	Label - Open	2
72867	Label - Lights (option)	1
82279	Platform Control Panel	1
82366	Label - Chevron Rykon	1
97602	Warning - Explosion Hazard	1
97815	Label - Lower Mid-rail	1
97887	Instructions - Maximum Side Force, 150 lbs / 667 N	1
110282	Instructions - Kubota Engine Specs	1
114025	Label - Wheel Load	4
114114	Label - Transport Diagram	2
114117	Instructions - Battery Connection	2
114258	Danger - No Smoking	1
114350	Label - AC Inverter Power (option)	2
114389	Danger - Safety Rules	2
114390	Danger - Electrocutation Hazard	2
114397	Danger - Tilt Alarm	1
1000027	Instructions - Operating Instructions	2

Inspections



Inspections

DC Models - Inspection for Decals with Symbols

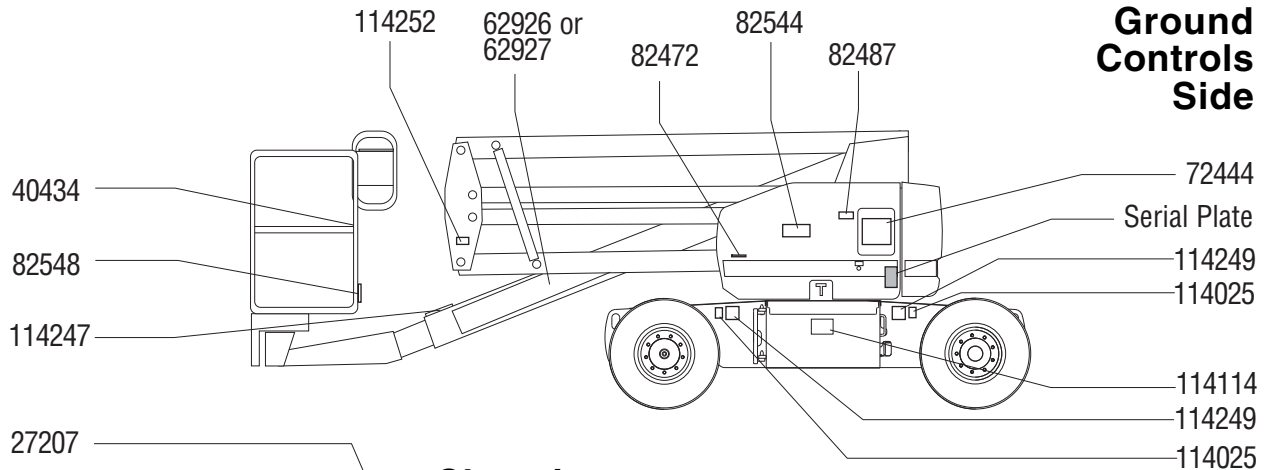
Determine whether the decals on your machine have words or symbols. Use the appropriate inspection to verify that all decals are legible and in place.

Part No.	Decal Description	Quantity
27204	Arrow - Blue	1
27205	Arrow - Yellow	1
27206	Triangle - Blue	2
27207	Triangle - Yellow	2
28174	Label - Power to Platform, 230V	2
28235	Label - Power to Platform, 115V	2
40434	Label - Lanyard Anchorage	3
44981	Label - Air Line to Platform	2
52969	Cosmetic - Genie Boom	1
62070	Cosmetic - DC Power	1
62926	Cosmetic - Genie Z-45/25J	1
62927	Cosmetic - Genie Z-45/25	1
72867	Label - Lights (option)	1
82472	Label - Crushing Hazard	1
82473	Warning - Compartment Access	1
82481	Label - Battery Safety	2
82487	Label - Read the Manual	2
82544	Label - Electrocution Hazard	2

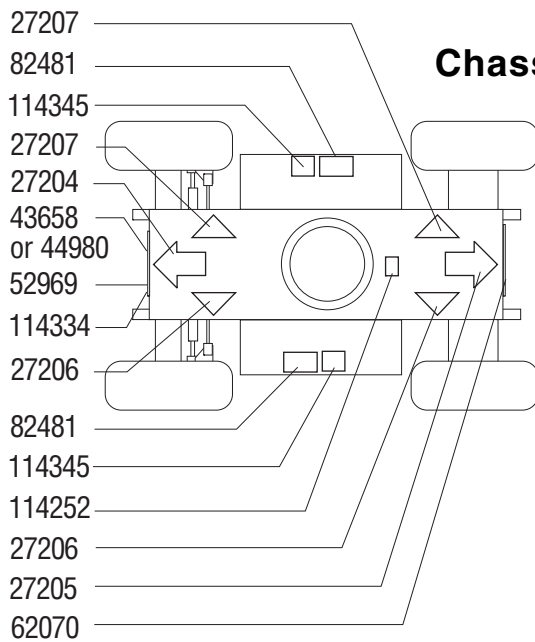
Part No.	Decal Description	Quantity
82548	Label - Platform Rotate	2
82601	Label - Maximum Capacity, 227 kg	1
82602	Label - Max Manual Force, 667 N	1
82612	Label - Maximum Capacity, 200 kg (Aircraft Protection Package)	1
82647	Label - Drive Enable Patch	1
97815	Label - Lower Mid-rail	1
72444	Ground Control Panel	1
82279	Platform Control Panel	1
114025	Label - Wheel Load	4
114247	Label - Fall Hazard	1
114248	Label - Tilt Alarm	1
114249	Label - Tip-over Hazard, Tires	4
114252	Label - Tip-over Hazard	3
114334	Label - Electrocution Hazard, AC Power Supply	1
114114	Label - Transport Diagram	2
114345	Label - Tip-over Hazard, Batteries	2

Inspections

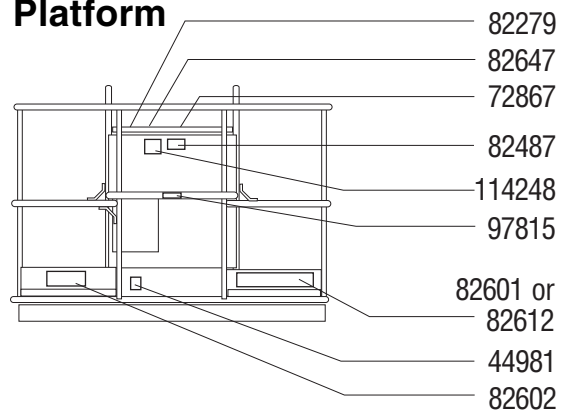
Ground Controls Side



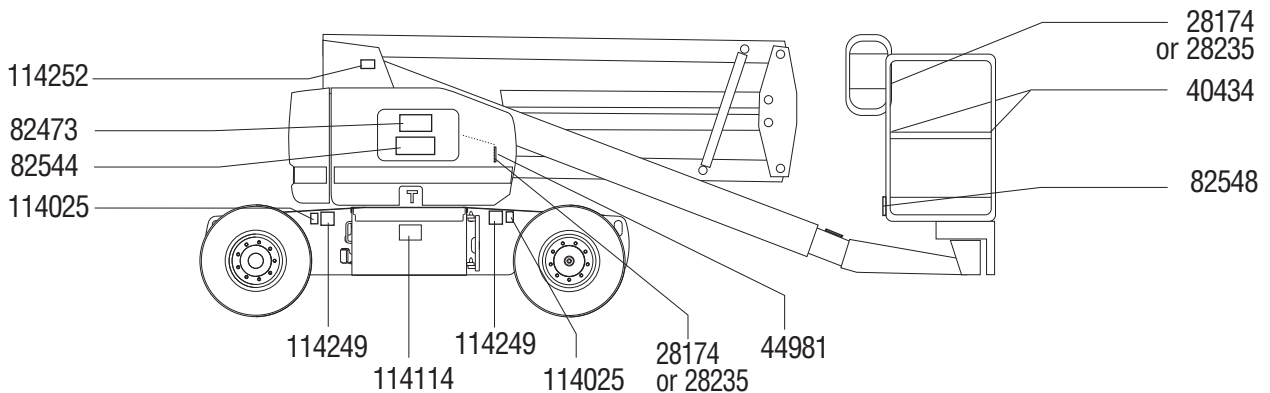
Chassis



Platform



■ Shading indicates decal is hidden from view, i.e. under covers



Inspections

Bi-Energy Models - Inspection for Decals with Symbols

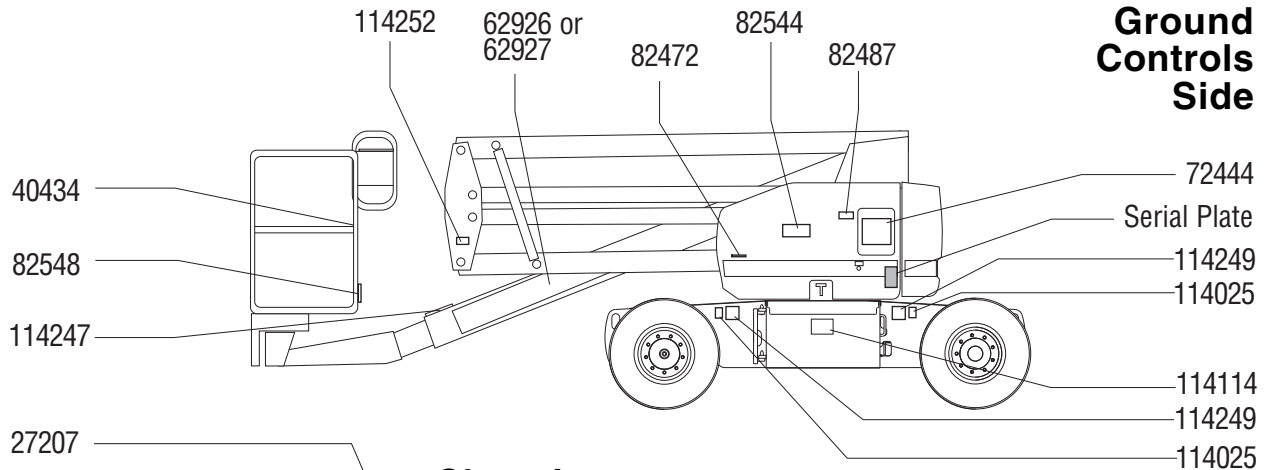
Determine whether the decals on your machine have words or symbols. Use the appropriate inspection to verify that all decals are legible and in place.

Part No.	Decal Description	Quantity
27204	Arrow - Blue	1
27205	Arrow - Yellow	1
27206	Triangle - Blue	2
27207	Triangle - Yellow	2
28159	Label - Diesel	1
28174	Label - Power to Platform, 230V	2
28235	Label - Power to Platform, 115V	2
40434	Label - Lanyard Anchorage	3
44981	Label - Air Line to Platform	2
52969	Cosmetic - Genie Boom	1
62068	Cosmetic - Bi-Energy	1
62926	Cosmetic - Genie Z-45/25J	1
62927	Cosmetic - Genie Z-45/25	1
72867	Label - Lights (option)	1
82472	Label - Crushing Hazard	1
82473	Warning - Compartment Access	1
82481	Label - Battery Safety	2
82487	Label - Read the Manual	2
82544	Label - Electrocution Hazard	2
82548	Label - Platform Rotate	2

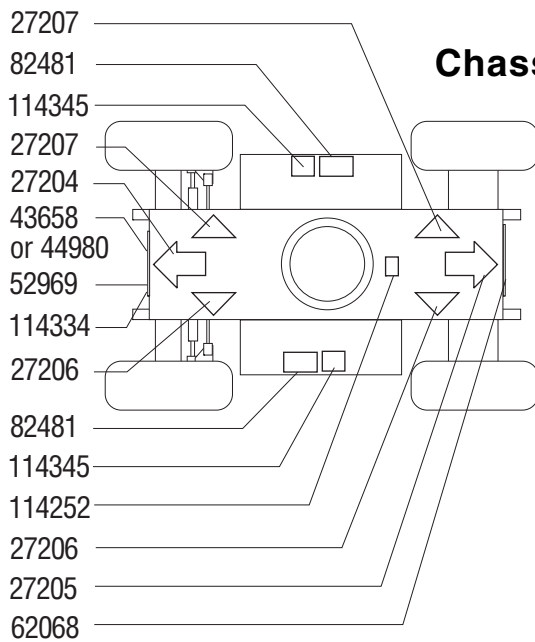
Part No.	Decal Description	Quantity
82601	Label - Maximum Capacity, 227 kg	1
82602	Label - Max Side Force, 667 N	1
82612	Label - Maximum Capacity, 200 kg (Aircraft Protection Package)	1
82647	Label - Drive Enable Patch	1
97815	Label - Lower Mid-rail	1
72444	Ground Control Panel	1
82279	Platform Control Panel	1
114025	Label - Wheel Load	4
114247	Label - Fall Hazard	1
114248	Label - Tilt Alarm	1
114249	Label - Tip-over Hazard, Tires	4
114251	Label - No Smoking	1
114252	Label - Tip-over Hazard	3
114334	Label - Electrocution Hazard, AC Power Supply	1
114114	Label - Transport Diagram	2
114345	Label - Tip-over Hazard, Batteries	2
114391	Label - Crushing Hazard	1

Inspections

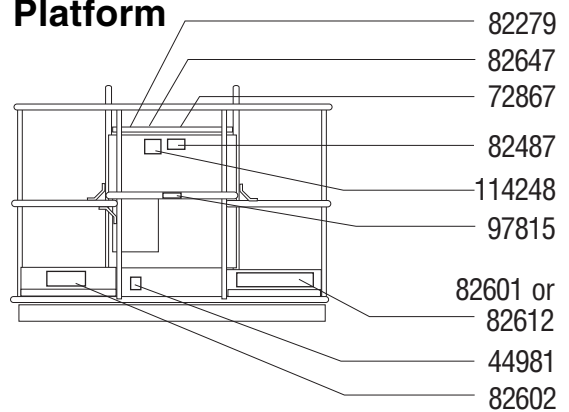
Ground Controls Side




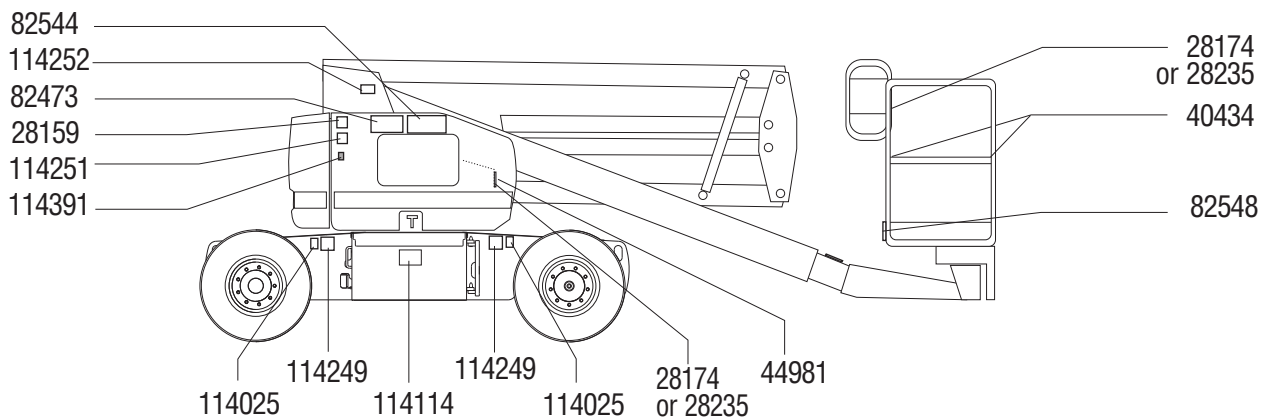
Chassis



Platform



 Shading indicates decal is hidden from view, i.e. under covers



Operating Instructions



Do Not Operate Unless:

- You learn and practice the principles of safe machine operation contained in this operator's manual.
 - 1 Avoid hazardous situations.
 - 2 Always perform a pre-operation inspection.
 - 3 Always perform function tests prior to use.
 - 4 Inspect the workplace.
 - 5 **Only use the machine as it was intended.**

Fundamentals

The Operating Instructions section provides instructions for each aspect of machine operation. It is the operator's responsibility to follow all the safety rules and instructions in the operator's, safety and responsibilities manuals.

Using the machine for anything other than lifting personnel, along with their tools and materials, to an aerial work site is unsafe and dangerous.

Only trained and authorized personnel should be permitted to operate a machine. If more than one operator is expected to use a machine at different times in the same work shift, they must all be qualified operators and are all expected to follow all safety rules and instructions in the operator's, safety and responsibilities manuals. That means every new operator should perform a pre-operation inspection, function tests, and a workplace inspection before using the machine.

Operating Instructions

Introduction

Bi-Energy models can be operated with or without the engine running.

Starting the Engine

- 1 At the ground controls, turn the key switch to the desired position.
- 2 Be sure both ground and platform control red Emergency Stop buttons are pulled out to the on position.
- 3 Move the engine start toggle switch to either side. If the engine fails to start or dies, the restart delay will disable the start switch for 3 seconds.



If the engine fails to start after 15 seconds of cranking, determine the cause and repair any malfunction. Wait 60 seconds before trying to start again.

In cold conditions, hold the glow plug switch to either side for 3 to 5 seconds and then start the engine.

In extreme cold conditions, 20°F / -6°C and below, hold the glow plug switch to either side for 10 seconds and then start the engine. Warm the engine (use low idle) for 5 minutes to prevent hydraulic system damage.

Emergency Stop

Push in either the ground or platform red Emergency Stop button to the off position to stop all machine functions.

Repair any function that operates when the red Emergency Stop button is pushed in.

Selecting and operating the ground controls will override the platform red Emergency Stop button.

Auxiliary Controls

Use auxiliary power if the primary power source fails.

- 1 Turn the key switch to ground or platform control.
- 2 Pull out the red Emergency Stop button to the on position.
- 3 Press down the foot switch when operating the auxiliary controls from the platform.
- 4 Simultaneously hold the auxiliary power switch on and activate the desired function.



The drive function will not operate with auxiliary power.

Operation from Ground

- 1 Turn the key switch to ground control.
- 2 Pull out the red Emergency Stop button to the on position.

To Position Platform

- 1 Hold the function enable switch to either side.
- 2 Move the appropriate toggle switch according to the markings on the control panel.



Drive and steer functions are not available from the ground controls.

Operating Instructions

Operation from Platform

- 1 Turn the key switch to platform control.
- 2 Pull out both ground and platform red Emergency Stop buttons to the on position.

To Position Platform

- 1 Set the boom function speed controller to the desired speed.

Note: Drive and steer functions are not affected by the boom function speed controller.

- 2 Press down the foot switch.
- 3 Move the appropriate toggle switch according to the markings on the control panel.

To Steer

- 1 Press down the foot switch.
- 2 Turn the steer wheels with the thumb rocker switch located on top of the drive control handle.

Use the color-coded direction triangles on the platform controls and the drive chassis to identify the direction the wheels will turn.

To Drive

- 1 Press down the foot switch.
- 2 Increase speed: Slowly move the drive control handle off center.

Decrease speed: Slowly move the drive control handle toward center.

Stop: Return the drive control handle to center or release the foot switch.

Use the color-coded direction arrows on the platform controls and the drive chassis to identify the direction the machine will travel.

Machine travel speed is restricted when the boom is raised or extended.

Drive Enable

Light on indicates that the boom has moved just past either non-steer wheel and drive function has been interrupted.



To drive, hold the drive enable switch to either side and slowly move the drive control handle off center.

Be aware that the machine may move in the opposite direction that the drive and steer controls are moved.

Always use the color-coded direction arrows on the platform controls and the drive chassis to identify the direction the machine will travel.

Operating Instructions

▲ Driving on a Slope

Determine the uphill, downhill and side slope ratings for the machine and determine the slope grade.



Maximum slope rating,
platform downhill (gradeability):
30% (17°)



Maximum slope rating,
platform uphill:
20% (11°)



Maximum side slope rating:
25% (14°)

Note: Slope rating is subject to ground conditions and adequate traction. The term gradeability applies to the platform downhill configuration only.

Be sure the boom is below horizontal and the platform is between the non-steer wheels.

To determine the slope grade:

Measure the slope with a digital inclinometer OR use the following procedure.

You will need:

- carpenter's level
- straight piece of wood, at least 3 feet / 1 m long
- tape measure

Lay the piece of wood on the slope.

At the downhill end, lay the level on the top edge of the piece of wood and lift the end until the piece of wood is level.

While holding the piece of wood level, measure the vertical distance from the bottom of the piece of wood to the ground.

Divide the tape measure distance (rise) by the length of the piece of wood (run) and multiply by 100.

Example:



Piece of wood = 144 inches (3.6 m)

Run = 144 inches (3.6 m)

Rise = 12 inches (0.3 m)

$12 \text{ in} \div 144 \text{ in} = 0.083 \times 100 = 8.3\% \text{ grade}$

$0.3 \text{ m} \div 3.6 \text{ m} = 0.083 \times 100 = 8.3\% \text{ grade}$

If the slope exceeds the maximum uphill, downhill or side slope rating, then the machine must be winched or transported up or down the slope. See Transport and Lifting section.

Operating Instructions

AC Inverter (if equipped)

The inverter supplies power to the platform when external AC power is removed.

Plug the power-to-platform cable on the machine into the inverter power cable.

To activate the inverter, move the platform toggle switch in either direction. All boom functions will operate while the inverter is in use.



Machine Not Level Indicator Light



Light on indicates the machine is not level. The tilt alarm will be sounding when this light is on. Move the machine to a firm level surface.

Aircraft Protection Package (if equipped)

If the platform bumpers come in contact with aircraft components, the machine will shut down and no functions will operate.

Move the function override toggle switch to either side to operate the machine.

Operating Instructions



Battery and Charger Instructions

Observe and Obey:

- Do not use external charger or booster batteries.
- Charge the batteries in a well-ventilated area.
- Use proper AC input voltage for charging as indicated on the charger.
- Use only Genie authorized batteries and charger.
- Do not operate the machine with the battery charger plugged in.

Charging the Batteries

Use the engine (if equipped) or the AC battery charger to recharge the batteries.

Charging the Batteries with the Engine (Bi-Energy models)

Running the engine will automatically charge the batteries. At high idle, the engine supplies enough power for charging and for machine functions. At low idle, machine functions will use battery power.

All lift and drive functions can be operated while the engine is running.

The battery charge indicator will reset when the engine has been turned off for 2-3 minutes.

Charging the batteries with the engine does not fully charge the batteries. Periodically, use the AC battery charger to fully charge the batteries.

Charging the Batteries with the AC Charger

- 1 Be sure the batteries are connected before charging the batteries.
- 2 Open the battery compartment. The compartment should remain open for the entire charging cycle.

Maintenance-free batteries

- 1 Connect the battery charger to a grounded AC circuit.
- 2 The charger will indicate when the battery is fully charged.

Standard Batteries

- 1 Remove the battery vent caps and check the battery acid level. If necessary, add only enough distilled water to cover the plates. Do not overfill prior to the charge cycle.
- 2 Replace the battery vent caps.
- 3 Connect the battery charger to a grounded AC circuit.
- 4 The charger will indicate when the battery is fully charged.
- 5 Check the battery acid level when the charging cycle is complete. Replenish with distilled water to the bottom of the fill tube. Do not overfill.

Operating Instructions

Dry Battery Filling and Charging Instructions

- 1 Remove the battery vent caps and permanently remove the plastic seal from the battery vent openings.
- 2 Fill each cell with battery acid (electrolyte) until the level is sufficient to cover the plates.

Do not fill to maximum level until the battery charge cycle is complete. Overfilling can cause the battery acid to overflow during charging. Neutralize battery acid spills with baking soda and water.

- 3 Install the battery vent caps.
- 4 Charge the battery.
- 5 Check the battery acid level when the charging cycle is complete. Replenish with distilled water to the bottom of the fill tube. Do not overfill.



Observe and Obey:

- ☑ Genie Industries provides this securement information as a recommendation. Drivers are solely responsible for making sure machines are properly secured and the correct trailer is selected pursuant to US Department of Transportation regulations, other localized regulations, and their company policy.
- ☑ Genie customers needing to containerize any lift or Genie product should source a qualified freight forwarder with expertise in preparing, loading and securing construction and lifting equipment for international shipment.
- ☑ Only qualified aerial lift operators should move the machine on or off the truck.
- ☑ The transport vehicle must be parked on a level surface.
- ☑ The transport vehicle must be secured to prevent rolling while the machine is being loaded.
- ☑ Be sure the vehicle capacity, loading surfaces and chains or straps are sufficient to withstand the machine weight. Genie lifts are very heavy relative to their size. See the serial label for the machine weight.
- ☑ Be sure the turntable is secured with the turntable rotation lock before transporting. Be sure to unlock the turntable for operation.

Transport and Lifting Instructions

- ☑ Do not drive the machine on a slope that exceeds the uphill, downhill or side slope rating. See Driving on a Slope in the Operating Instructions section.
- ☑ If the slope of the transport vehicle bed exceeds the uphill or downhill maximum slope rating, the machine must be loaded and unloaded using a winch as described. See the Specifications section for the slope ratings.

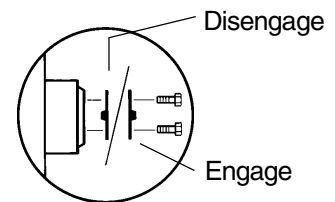
Free-wheel Configuration for Winching

Chock the wheels to prevent the machine from rolling.

Release the non-steer wheel brakes by turning over the drive hub disconnect caps.

Be sure the winch line is properly secured to the drive chassis tie points and the path is clear of all obstructions.

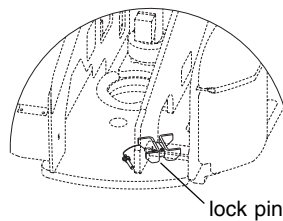
Reverse the procedures described to re-engage the brakes.



Transport and Lifting Instructions

⚠ Securing to Truck or Trailer for Transit

Always use the turntable rotation lock pin each time the machine is transported. The lock pin is located under the turntable on the hydraulic tank side of the machine.



Turn the key switch to the off position and remove the key before transporting.

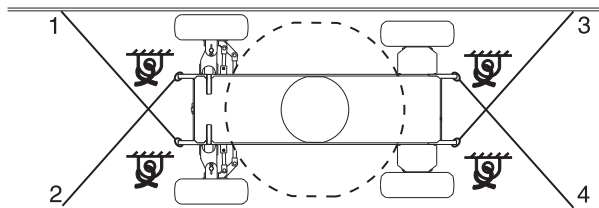
Inspect the entire machine for loose or unsecured items.

Securing the Chassis

Use chains of ample load capacity.

Use a minimum of 4 chains.

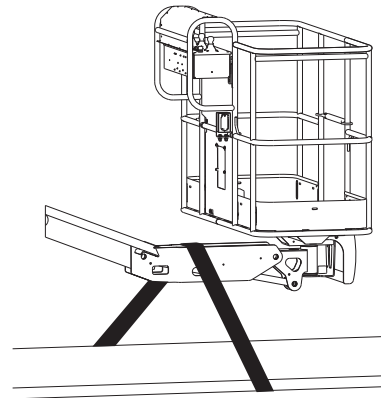
Adjust the rigging to prevent damage to the chains.



Securing the Platform - Z-45/25

Make sure the platform is in the stowed position.

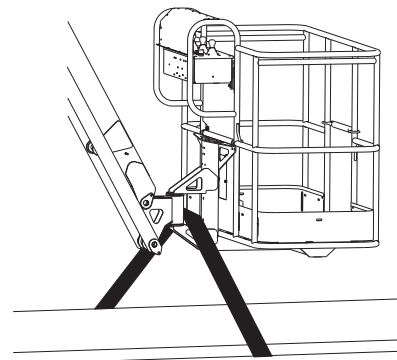
Secure the platform with a nylon strap placed over the platform mount near the platform rotator (see below). Do not use excessive downward force when securing the boom section.



Securing the Platform - Z-45/25J

Make sure the jib and platform are in the stowed position.

Secure the platform with a nylon strap placed over the platform mount near the platform rotator (see below). Do not use excessive downward force when securing the boom section.



Transport and Lifting Instructions



Observe and Obey:

- ☑ Only qualified riggers should rig and lift the machine.
- ☑ Be sure the crane capacity, loading surfaces and straps or lines are sufficient to withstand the machine weight. See the serial label for the machine weight.

Lifting Instructions

Fully lower and retract the boom. Fully lower the jib. Remove all loose items on the machine.

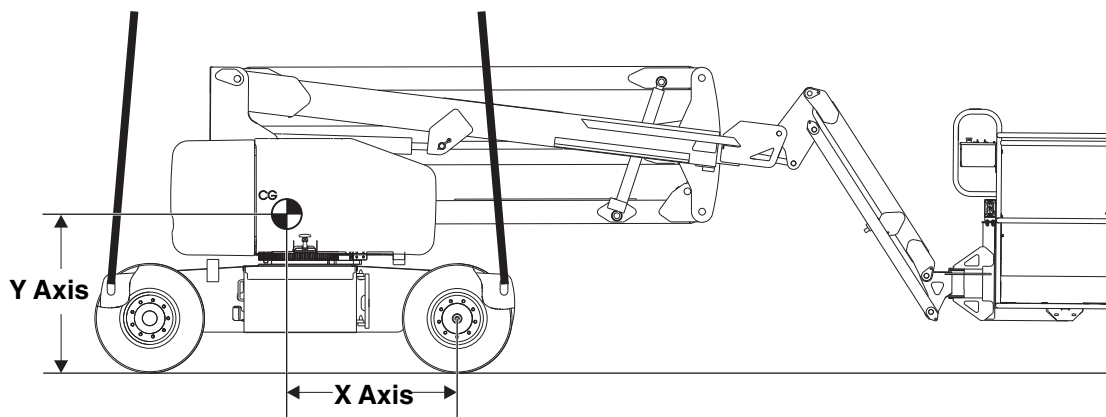
Use the turntable rotation lock to secure the turntable.

Determine the center of gravity of your machine using the picture on this page.

Attach the rigging only to the designated lifting points on the machine. There are four lifting points on the chassis.

Adjust the rigging to prevent damage to the machine and to keep the machine level.

X Axis	44 in	1.1 m
Y Axis	41 in	1.0 m



Maintenance



Observe and Obey:

- ☑ Only routine maintenance items specified in this manual shall be performed by the operator.
- ☑ Scheduled maintenance inspections shall be completed by qualified service technicians, according to the manufacturer's specifications and the requirements specified in the responsibilities manual.
- ☑ Use only Genie approved replacement parts.

Maintenance Symbols Legend

The following symbols have been used in this manual to help communicate the intent of the instructions. When one or more of the symbols appear at the beginning of a maintenance procedure, it conveys the meaning below.



Indicates that tools will be required to perform this procedure.



Indicates that new parts will be required to perform this procedure.



Indicates that a cold motor or pump will be required to perform this procedure.

Check the Batteries



Proper battery condition is essential to good machine performance and operational safety. Improper fluid levels or damaged cables and connections can result in component damage and hazardous conditions.

⚠ Electrocutation hazard. Contact with hot or live circuits may result in death or serious injury. Remove all rings, watches and other jewelry.

⚠ Bodily injury hazard. Batteries contain acid. Avoid spilling or contacting battery acid. Neutralize battery acid spills with baking soda and water.

- 1 Put on protective clothing and eye wear.
- 2 Be sure that the battery cable connections are tight and free of corrosion.
- 3 Be sure that the battery hold-down brackets are in place and secure.

Standard Batteries

- 4 Remove the battery vent caps.
- 5 Check the battery acid level. If needed, replenish with distilled water to the bottom of the battery fill tube. Do not overfill.
- 6 Install the vent caps.

Note: Adding terminal protectors and a corrosion preventative sealant will help eliminate corrosion on the battery terminals and cables.

Maintenance

Check the Hydraulic Oil Level



Maintaining the hydraulic oil at the proper level is essential to machine operation. Improper hydraulic oil levels can damage hydraulic components. Daily checks allow the inspector to identify changes in oil level that might indicate the presence of hydraulic system problems.

- 1 With the boom is in the stowed position, visually inspect the oil level in the hydraulic tank. The hydraulic oil level should be within the FULL and ADD marks on the hydraulic reservoir.
- 2 Add oil as needed.

Hydraulic oil specifications

Hydraulic oil type	Chevron Rykon Premium MV equivalent
--------------------	--

Check the Engine Oil Level (Bi-Energy models)



Maintaining the proper engine oil level is essential to good engine performance and service life. Operating the machine with an improper oil level can damage engine components.

Note: Check the oil level with the engine off.

- 1 Check the oil level dipstick. The oil level should be at the FULL mark on the dipstick.
- 2 Add oil as needed.

Kubota Engine Z482-E

Oil viscosity requirements	10W-30
----------------------------	--------

Engine oil should have properties of API classification CC/SE, CD/SE, CC/SF or CD/SF grades. Units ship with 10W-40 SG/CC

Maintenance

Check the Engine Coolant Level (Bi-Energy models)



Maintaining the engine coolant at the proper level is essential to engine service life. Improper coolant level will affect the engine's cooling capability and damage engine components. Daily checks will allow the inspector to identify changes in coolant level that might indicate cooling system problems.

⚠ Burn hazard. Beware of hot engine parts and coolant. Contact with hot engine parts and/or coolant may cause severe burns.

Note: Do not remove the radiator cap.

- 1 Check the fluid level in the coolant recovery tank. The fluid level should be at the FULL mark.
- 2 Add fluid as needed.

Scheduled Maintenance

Maintenance performed quarterly, annually and every two years must be completed by a person trained and qualified to perform maintenance on this machine according to the procedures found in the service manual for this machine.

Machines that have been out of service for more than three months must receive the quarterly inspection before they are put back into service.

Specifications

Model	Z-45/25 DC (no jib)	
Height, working maximum	51 ft 6 in	15.8 m
Height, platform maximum	45 ft 6 in	13.8 m
Height, stowed maximum	6 ft 7 in	2.0 m
Horizontal reach maximum	125 ft	17.6 m
Width	5 ft 10.3 in	1.79 m
Length, stowed	18 ft 3 in	5.56 m
Maximum load capacity	500 lbs	227 kg
Maximum wind speed	28 mph	12.5 m/s
Wheelbase	6 ft 8 in	2.0 m
Turning radius (inside)	6 ft	1.8 m
Turning radius (outside)	14 ft	4.3 m
Turntable rotation		355°
Turntable tailswing	0 in	0 cm
Power source	8 Group 903, L-16, 6V 390AH Batteries	
Drive speed, stowed	3.0 mph 40 ft/9 sec	4.8 km/h 12.2 m/9 sec
Drive speed, booms raised	0.6 mph 40 ft/45 sec	1 km/h 12.2 m/45 sec
Airborne noise emissions Maximum sound level at normal operating workstations (A-weighted)	73 dB	
Ground clearance, center	9.5 in	24.1 cm
Ground clearance, minimum	7.5 in	19.1 cm
Weight (Machine weights vary with option configurations. See serial label for specific machine weight.)	15,350 lbs	6963 kg

Platform dimensions, 6 foot (length x width)	72 in x 30 in 1.8 m x 76 cm	
Platform dimensions, 5 foot (length x width)	60 in x 30 in 1.5 m x 76 cm	
Platform dimensions, 4 foot (length x width)	48 in x 30 in 1.2 m x 76 cm	
Platform leveling	self-leveling	
Platform rotation	180°	
Controls	24V DC proportional	
AC outlet in platform	standard	
Hydraulic pressure, maximum (boom functions)	3200 psi	221 bar
System voltage	48V	
Tire size, 2WD Industrial Foam-filled only	9-14.5 LT	
Fuel tank capacity	9 gallons	34.1 liters

Maximum slope rating, stowed position

Platform downhill	30% (17°)	
Platform uphill	20% (11°)	
Side slope	25% (14°)	

Note: Slope rating is subject to ground conditions and adequate traction.

Floor loading information

Tire load, maximum	8100 lbs	3674 kg
Tire contact pressure	100 psi	7.03 kg/cm ² 689 kPa
Occupied floor pressure	297 psf	1450 kg/m ² 14.22 kPa

Note: Floor loading information is approximate and does not incorporate different option configurations. It should be used only with adequate safety factors.

¹ Outreach specification with platform rotated 90 degrees

Continuous improvement of our products is a Genie policy.
Product specifications are subject to change without notice or obligation.



Specifications

Model	Z-45/25J DC (jib)	
Height, working maximum	51 ft 9 in	15.9 m
Height, platform maximum	45 ft 9 in	13.9 m
Height, stowed maximum	6 ft 7 in	2.0 m
Horizontal reach maximum	25 ft 1 in	7.7 m
Width	5 ft 10.3 in	1.79 m
Length, stowed	22 ft 5 in	6.83 m
Maximum load capacity	500 lbs	227 kg
Maximum wind speed	28 mph	12.5 m/s
Wheelbase	6 ft 8 in	2.0 m
Turning radius (inside)	6 ft	1.8 m
Turning radius (outside)	14 ft	4.3 m
Turntable rotation		355°
Turntable tailswing	0 in	0 cm
Power source	8 Group 903, L-16, 6V 390AH Batteries	
Drive speed, stowed	3.0 mph 40 ft/9 sec	4.8 km/h 12.2 m/9 sec
Drive speed, booms raised	0.6 mph 40 ft/45 sec	1 km/h 12.2 m/45 sec
Airborne noise emissions Maximum sound level at normal operating workstations (A-weighted)	73 dB	
Ground clearance, center	9.5 in	24.1 cm
Ground clearance, minimum	7.5 in	19.1 cm
Weight (Machine weights vary with option configurations. See serial label for specific machine weight.)	16,300 lbs	7394 kg

Platform dimensions, 6 foot (length x width)	72 in x 30 in 1.8 m x 76 cm	
Platform dimensions, 5 foot (length x width)	60 in x 30 in 1.5 m x 76 cm	
Platform dimensions, 4 foot (length x width)	48 in x 30 in 1.2 m x 76 cm	
Platform leveling	self-leveling	
Platform rotation	160°	
Controls	24V DC proportional	
AC outlet in platform	standard	
Hydraulic pressure (maximum) (boom functions)	3200 psi	221 bar
System voltage	48V	
Tire size, 2WD Industrial Foam-filled only	9-14.5 LT	
Fuel tank capacity	9 gallons	34.1 liters

Maximum slope rating, stowed position

Platform downhill	30% (17°)	
Platform uphill	20% (11°)	
Side slope	25% (14°)	

Note: Slope rating is subject to ground conditions and adequate traction.

Floor loading information

Tire load, maximum	8100 lbs	3674 kg
Tire contact pressure	100 psi	7.03 kg/cm ² 689 kPa
Occupied floor pressure	315 psf	1538 kg/m ² 15.08 kPa

Note: Floor loading information is approximate and does not incorporate different option configurations. It should be used only with adequate safety factors.

Continuous improvement of our products is a Genie policy.
Product specifications are subject to change without notice or obligation.



Specifications

Model	Z-45/25 Bi-Energy (no jib)	
Height, working maximum	51 ft 6 in	15.8 m
Height, platform maximum	45 ft 6 in	13.8 m
Height, stowed maximum	6 ft 7 in	2.0 m
Horizontal reach maximum	125 ft	17.6 m
Width	5 ft 10.3 in	1.79 m
Length, stowed	18 ft 3 in	5.56 m
Maximum load capacity	500 lbs	227 kg
Maximum wind speed	28 mph	12.5 m/s
Wheelbase	6 ft 8 in	2.0 m
Turning radius (inside)	6 ft	1.8 m
Turning radius (outside)	14 ft	4.3 m
Turntable rotation		355°
Turntable tailswing	0 in	0 cm
Power source	8 Group 903, L-16, 6V 390AH Batteries with Kubota Z482-E engine	
Drive speed, stowed	3.0 mph 40 ft/9 sec	4.8 km/h 12.2 m/9 sec
Drive speed, booms raised	0.6 mph 40 ft/45 sec	1 km/h 12.2 m/45 sec
Airborne noise emissions Maximum sound level at normal operating workstations (A-weighted)	73 dB	
Ground clearance, center	9.5 in	24.1 cm
Ground clearance, minimum	7.5 in	19.1 cm
Weight (Machine weights vary with option configurations. See serial label for specific machine weight.)	15,850 lbs	7189 kg

Platform dimensions, 6 foot (length x width)	72 in x 30 in 1.8 m x 76 cm	
Platform dimensions, 5 foot (length x width)	60 in x 30 in 1.5 m x 76 cm	
Platform dimensions, 4 foot (length x width)	48 in x 30 in 1.2 m x 76 cm	
Platform leveling	self-leveling	
Platform rotation	180°	
Controls	24V DC proportional	
AC outlet in platform	standard	
Hydraulic pressure, maximum (boom functions)	3200 psi	221 bar
System voltage	48V	
Tire size, 2WD Industrial Foam-filled only	9-14.5 LT	
Fuel tank capacity	9 gallons	34.1 liters

Maximum slope rating, stowed position

Platform downhill	30% (17°)
Platform uphill	20% (11°)
Side slope	25% (14°)

Note: Slope rating is subject to ground conditions and adequate traction.

Floor loading information

Tire load, maximum	8100 lbs	3674 kg
Tire contact pressure	100 psi	7.03 kg/cm ² 689 kPa
Occupied floor pressure	306 psf	1494 kg/m ² 14.65 kPa

Note: Floor loading information is approximate and does not incorporate different option configurations. It should be used only with adequate safety factors.

¹ Outreach specification with platform rotated 90 degrees

Continuous improvement of our products is a Genie policy.
Product specifications are subject to change without notice or obligation.



Specifications

Model	Z-45/25J Bi-Energy (jib)	
Height, working maximum	51 ft 9 in	15.9 m
Height, platform maximum	45 ft 9 in	13.9 m
Height, stowed maximum	6 ft 7 in	2.0 m
Horizontal reach maximum	25 ft 1 in	7.7 m
Width	5 ft 10.3 in	1.79 m
Length, stowed	22 ft 5 in	6.83 m
Maximum load capacity	500 lbs	227 kg
Maximum wind speed	28 mph	12.5 m/s
Wheelbase	6 ft 8 in	2.0 m
Turning radius (inside)	6 ft	1.8 m
Turning radius (outside)	14 ft	4.3 m
Turntable rotation	355°	
Turntable tailswing	0 in	0 cm
Power source	8 Group 903, L-16, 6V 390AH Batteries with Kubota Z482-E engine	
Drive speed, stowed	3.0 mph 40 ft/9 sec	4.8 km/h 12.2 m/9 sec
Drive speed, booms raised	0.6 mph 40 ft/45 sec	1 km/h 12.2 m/45 sec
Airborne noise emissions Maximum sound level at normal operating workstations (A-weighted)	73 dB	
Ground clearance, center	9.5 in	24.1 cm
Ground clearance, minimum	7.5 in	19.1 cm
Weight (Machine weights vary with option configurations. See serial label for specific machine weight.)	16,800 lbs	7620 kg

Platform dimensions, 6 foot (length x width)	72 in x 30 in 1.8 m x 76 cm	
Platform dimensions, 5 foot (length x width)	60 in x 30 in 1.5 m x 76 cm	
Platform dimensions, 4 foot (length x width)	48 in x 30 in 1.2 m x 76 cm	
Platform leveling	self-leveling	
Platform rotation	160°	
Controls	24V DC proportional	
AC outlet in platform	standard	
Hydraulic pressure (maximum) (boom functions)	3200 psi	221 bar
System voltage	48V	
Tire size, 2WD Industrial Foam-filled only	9-14.5 LT	
Fuel tank capacity	9 gallons	34.1 liters

Maximum slope rating, stowed position

Platform downhill	30% (17°)	
Platform uphill	20% (11°)	
Side slope	25% (14°)	

Note: Slope rating is subject to ground conditions and adequate traction.

Floor loading information

Tire load, maximum	8100 lbs	3674 kg
Tire contact pressure	100 psi	7.03 kg/cm ² 689 kPa
Occupied floor pressure	325 psf	1587 kg/m ² 15.56 kPa

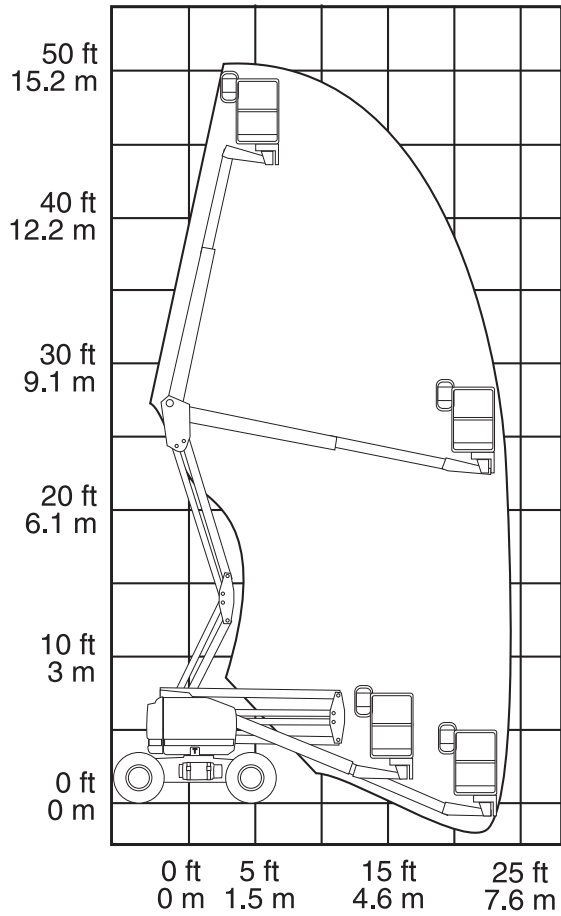
Note: Floor loading information is approximate and does not incorporate different option configurations. It should be used only with adequate safety factors.

Continuous improvement of our products is a Genie policy.
Product specifications are subject to change without notice or obligation.

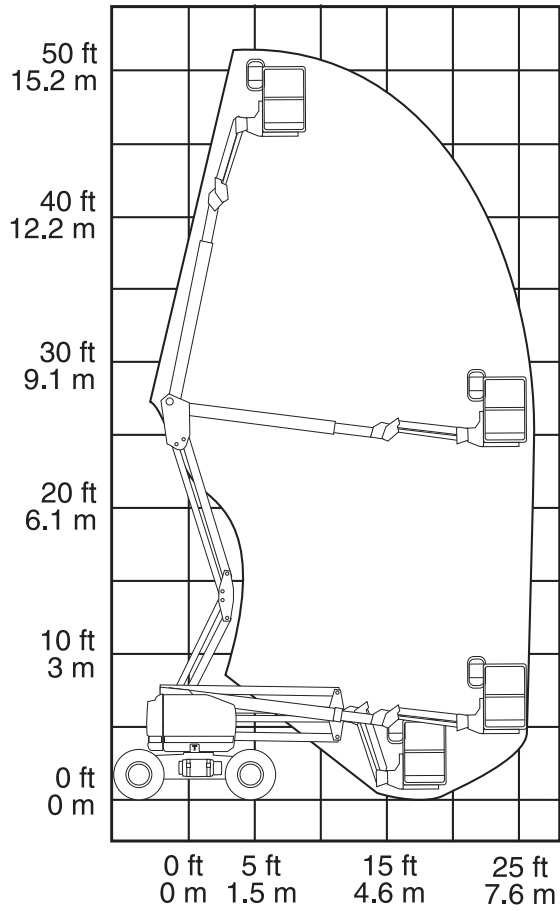


Specifications

Range of motion - models without jib



Range of motion - models with jib



California Proposition 65

Warning

The exhaust from this product contains chemicals known to the State of California to cause cancer, birth defects or other reproductive harm.

Genie North America
Phone 425.881.1800
Toll Free USA and Canada
800.536.1800
Fax 425.883.3475

Genie Australia Pty Ltd.
Phone +61 7 3375 1660
Fax +61 7 3375 1002

Genie China
Phone +86 21 53853768
Fax +86 21 53852569

Genie Singapore
Phone +65 67533544
Fax +65 67533544

Genie Japan
Phone +81 3 6436 2020
Fax +81 3 5445 1231

Genie Korea
Phone +82 2 558 7267
Fax +82 2 558 3910

Genie Brasil
Phone +55 11 4082 5600
Fax +55 22 4082 5630

Genie Holland
Phone +31 183 581 102
Fax +31 183 581 566

Genie Sweden
Phone 0046 3157 5101
Fax 0046 3157 5104

Genie France
Phone 0033 237 260 986
Fax 0033 237 260 998

Genie Iberica
Phone 0034 900 808 110
Fax 0034 935 725 080

Genie Germany
Phone 0800 180 9017
Phone 0049 4221 491 821
Fax 0049 4221 491 820

Genie U.K.
Phone 0044 1476 584 333
Fax 0044 1476 584 330

Genie Mexico City
Phone +52 55 5666 5242
Fax +52 55 5666 3241

Distributed By: